



Enclosure Solutions

SPECIFICATION GUIDE-**IMRAK**



Contents

Technical specifications	3
IMRAK ServerMax Primary rack builds	4, 5
IMRAK 1400 Primary rack builds	6, 7
Open frames	8
Side panels	9
Baying kits	10
Vertical baying trims	11
Horizontal baying trims	12
Doors - perforated and vented	13
Doors -plain steel & glass	14, 15
Front cover trims	16
Coach lines	17
Infill panels for use with doors	18
Top covers	19
19" Panel Mounting Angles - standard	20
19" Panel Mounting Angles - simple	21
Panel mounting supports	22
Panel mount angle spacing kit	23
Cable reducing channels for 800 mm wide cabinets	24
Bolting down plates	25
Castors	26
Adjustable feet	27
Bottom gland plates	28
Plinths	29, 30
Extension plinths	31
'Raft' - floor tile replacement plinth	32
Fan trays	33
Monitored fan trays	34
Lock options for doors	35
Lock options for side panels	36
Chassis supports	37
Chassis trays	38
Heavy duty shelves	39
19" cantilever shelves	40
Chassis trays - direct fixing	40
Siding shelves	41
Keyboard shelves	42
Heavy duty sliding shelves	43
Cable management	44
Earthing kit	45
Earthing bars	46
Busbar systems	47
Magnetic lights	48
Power management	49

IMRAK – Technical specifications

IMRAK 1400 – dimensions and mounting positions

Dimensions

Height	Dim 'A' mm	Dim 'B' mm
12U§	620,1	533,4
17U§	842,4	755,7
22U§	1064,6	977,9
27U	1286,9	1200,2
32U§	1509,1	1422,4
37U	1731,4	1644,7
42U	1953,6	1866,9
47U	2175,9	2089,2

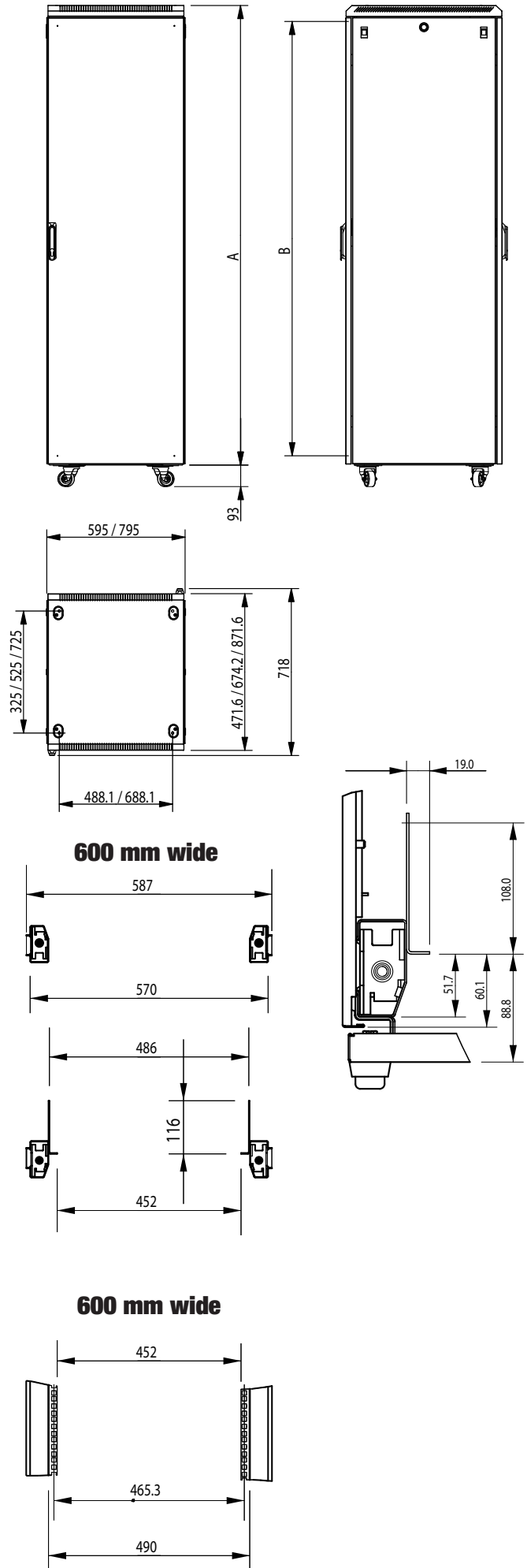
§ Minimum order quantity = 10

Description

	Dim 'C' mm
Heavy duty castor	92,1
Light duty castor	66,0
Light duty castor – braked	66,0
Adjustable feet	25 (min.) – 40 (max.)
High top and high to side vented	Add 24
Adjustable foot adaptor to adjustable feet	Add 56

Standards

IEC 297-2
 DIN 41494, part 7
 DIN 41494, part 1 – mounting dimensions
 EN 60 950
 VDE 0100



IMRAK ServerMax Primary rack builds

The IMRAK ServerMax Primary is a ready configured enclosure, pre-equipped with the most popular components. One order code gives you a complete cabinet ideal for housing active equipment, electronics and servers. It can also be used as the starting point for creating a unique configured enclosure, by adding additional accessories.

To be used with

All rack accessories (fixed & sliding shelves etc.)

Top mounted fan trays

Power and cable management accessories

Castors, adjustable feet and plinths

Earthing kits



Contents of kit				
Description	Qty	Material	finishes	
Open frame	1	1.5 mm steel	Light grey RAL 7035	Black RAL 9011
Front door - glass vented or steel perforated	1	1.0 mm steel 4.0 mm toughened, tinted, glass	Dusty grey RAL 7037 plus grey tinted glass	Anthracite RAL 7016
Rear door - Double steel perforated	1	1.0 mm steel	Dusty grey RAL 7037	Anthracite RAL 7016
Side panels	1 pair	1.0 mm steel	Light grey RAL 7035	Anthracite RAL 7016
Fully vented top cover with cable access panel	1	1.0 mm steel	Dusty grey RAL 7037	Anthracite RAL 7016
19" Panel mounts	2 pairs	2.0 mm steel	Light grey RAL 7035	Black RAL 9011
Reducing cable channels (only on 800 mm wide cabinets)	2 pairs	2.0 mm steel	Light grey RAL 7035	Black RAL 9011
Panel mount angle spacer kit (only on 600mm wide cabinets).	6 pairs	1.5 mm steel	Light grey RAL 7035	Black RAL 9011
Panel mount supports 6 pairs in 600 mm wide cabinets 3 pairs in 800 mm wide cabinets	6 / 3 pairs	1.5 mm steel	Light grey RAL 7035	Black RAL 9011

Contents of kit - Primary rack additional bay				
Description	Qty	Material	finishes	
Open frame	1	1.5 mm steel	Light grey RAL 7035	Black RAL 9011
Front door - glass vented or steel perforated	1	1.0 mm steel 4.0 mm toughened, tinted, glass	Dusty grey RAL 7037 plus grey tinted glass	Anthracite RAL 7016
Rear door - Double steel perforated	1	1.0 mm steel	Dusty grey RAL 7037	Anthracite RAL 7016
Baying kit	1 kit	1.5 mm steel	Light grey RAL 7035	Black RAL 9011
Vertical baying trim	1 pair	1.0 mm steel	Light grey RAL 7035	Anthracite RAL 7016
Fully vented top cover with cable access panel	1	1.0 mm steel	Dusty grey RAL 7037	Anthracite RAL 7016
19" Panel mounts	2 pairs	2.0 mm steel	Light grey RAL 7035	Black RAL 9011
Reducing cable channels (only on 800 mm wide cabinets)	2 pairs	2.0 mm steel	Light grey RAL 7035	Black RAL 9011
Panel mount angle spacer kit (only on 600mm wide cabinets).	6 pairs			
Panel mount supports 6 pairs in 600 mm wide cabinets 3 pairs in 800 mm wide cabinets	6 / 3 pairs	1.5 mm steel	Light grey RAL 7035	Black RAL 9011

Load rating and safety specification
1,000 Kg

IMRAK ServerMax Primary rack builds

Order table

Primary cabinets with fully perforated steel front doors	M.O.Q.	Net weight for kit (Kg)	Light grey RAL 7035	Anthracite RAL 7016
			Order code	Order code
Height x depth				
42U 600x1,000 primary	1	120.7	804-339953	804-339961
42U 600x1,000 additional	1	84.1	804-339969	804-339977
42U 800x1,000 primary	1	155.6	804-339954	804-339962
42U 800x1,000 additional	1	119.0	804-339970	804-339978
47U 600x1,000 primary	1	131.7	804-339955	804-339963
47U 600x1,000 additional	1	90.9	804-339971	804-339979
47U 800x1,000 primary	1	170.2	804-339956	804-339964
47U 800x1,000 additional	1	129.4	804-339972	804-339980

Primary cabinets with vented glass front doors	M.O.Q.	Net weight for kit (Kg)	Light grey RAL 7035	Anthracite RAL 7016
			Order code	Order code
Height x depth				
42U 600x1,000 primary	1	125.2	804-2213741	804-2213745
42U 600x1,000 additional	1	88.6	804-2213751	804-2213755
42U 800x1,000 primary	1	167.9	804-2213743	804-2213747
42U 800x1,000 additional	1	131.3	804-2213753	804-2213757
47U 600x1,000 primary	1	137.0	804-2213742	804-2213746
47U 600x1,000 additional	1	96.2	804-2213752	804-2213756
47U 800x1,000 primary	1	190.0	804-2213744	804-2213748
47U 800x1,000 additional	1	149.2	804-2213754	804-2213758



Technical features of IMRAK ServerMax

Size

Sizes of Cabinet - H xW X D

Dimensions of cabinet with doors fully opened

Load rating

IMRAK ServerMax has been tested to ensure that in a static situation even the tallest cabinet (47U) can safely be fully loaded with 21 Kg per 'U'.

Thermal management

The perforated top cover and steel doors have an open area of 63% to ensure the minimum resistance to free movement of air. Additional forced cooling can be add via zero 'U' height top mounted fan trays

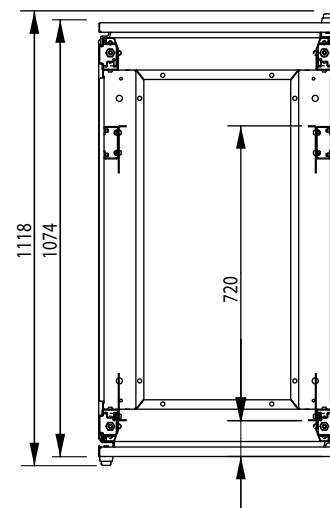
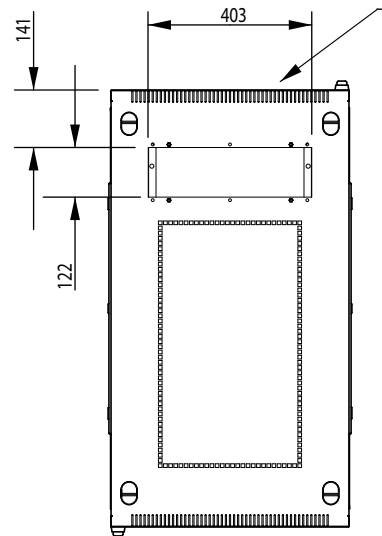
Data and power cable management

Space has been provided at the rear of the unit that does to encroach into the 19" working area for the management power and data cables. Cable access has also been provided in the top cover that does not restrict the use of top mounted fan trays

Multi-platform solutions for rack mounted servers

The rear 19" panel mounts are split into three independently adjustable sections to allow for three different lengths of server mounting slides to be fitted. In the 42U IMRAK ServerMax Primary build the rear rails is split into three 14U section, in the 47U cabinet two 14U and one 19U rear 19" panel mounts are fitted.

The cross sectional dimensions of the 19" Panel Mounts also correspond with HP mounting rails which allows even the largest HP rack mounted servers, that require the slides to be fixed on the front 19" mounted surface and side fixing, to be fitted.



IMRAK 1400 Primary rack builds

The IMRAK 1400 Primary is a ready configured enclosure available in the most popular sizes with predefined cladding. One order code provides a complete cabinet ideal for many applications. It can also be used as the starting point for creating a unique configured enclosure, by adding additional accessories.

To be used with

All rack accessories (fixed & sliding shelves etc.)

Top mounted fan trays

Power and cable management accessories

Castors, adjustable feet and plinths

Earthing kits

Contents of kit - Primary rack

	Qty	Material	finishes
Open frame	1	1.5 mm steel	Light grey RAL 7035
Glass door	1	1.0 mm steel 4.0 mm toughened, tinted, glass	Dusty grey RAL 7037 plus grey tinted glass
Steel door	1	1.0 mm steel	Dusty grey RAL 7037
Side panels	1 pair	1.0 mm steel	Light grey RAL 7035
Side vented top cover	1	1.0 mm steel	Dusty grey RAL 7037
19" Panel mounts	2 pairs	2.0 mm steel	Light grey RAL 7035
Reducing cable channels (only on 800 mm wide cabinets)	2 pairs	2.0 mm steel	Light grey RAL 7035
Panel mount supports 27U & 32U 2 pairs 42U & 47U 3 pairs	2 / 3 pairs	1.5 mm steel	Light grey RAL 7035

Contents of kit - Primary rack additional bay

	Qty	Material	finishes
Open frame	1	1.5 mm steel	Light grey RAL 7035
Glass door	1	1.0 mm steel 4.0 mm toughened, tinted, glass	Dusty grey RAL 7037 plus grey tinted glass
Steel door	1	1.0 mm steel	Dusty grey RAL 7037
Baying kit	1 kit	1.5 mm steel	Light grey RAL 7035
Vertical baying trim	1 pair	1.0 mm steel	Light grey RAL 7035
Side vented top cover	1	1.0 mm steel	Dusty grey RAL 7037
19" Panel mounts	2 pairs	2.0 mm steel	Light grey RAL 7035
Reducing cable channels (only on 800 mm wide cabinets)	2 pairs	2.0 mm steel	Light grey RAL 7035
Panel mount supports 27U & 32U 2 pairs 42U & 47U 3 pairs	2 / 3 pairs	1.5 mm steel	Light grey RAL 7035

Load rating and safety specification

1,000 kg



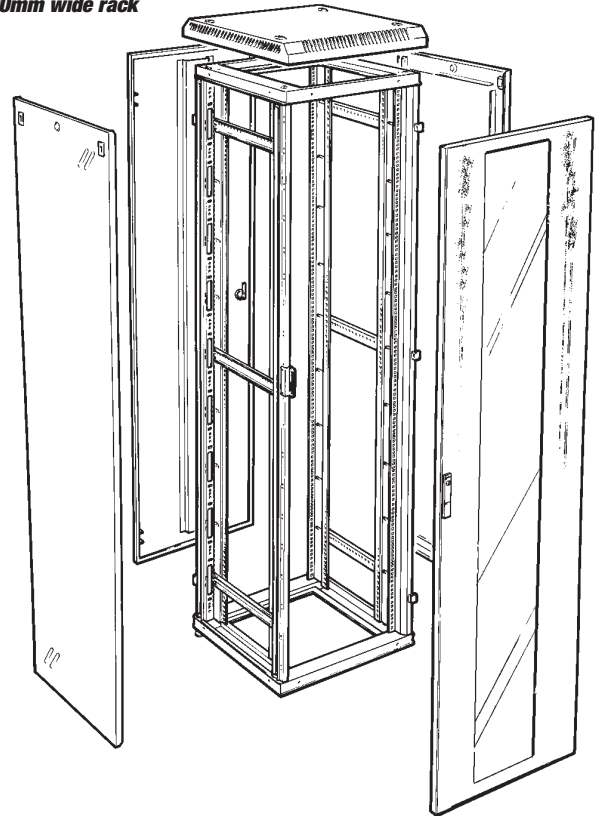
IMRAK 1400 Primary rack builds

Order table

Height x Width x Depth	M.O.Q.	Net weight for kit (Kg)	Light grey RAL 7035
			Order code
27U 6x6 Primary	1	65.3	804-2213701
27U 6x6 additional	1	52.0	804-2213711
27U 6x8 Primary	1	74.8	804-2213721
27U 6x8 additional	1	56.3	804-2213731
27U 8x6 Primary	1	92.2	804-2213705
27U 8x6 additional	1	78.9	804-2213715
27U 8x8 Primary	1	103.0	804-2213725
27U 8x8 additional	1	84.5	804-2213735
37U 6x6 Primary	1	84.0	804-2213702
37U 6x6 additional	1	65.8	804-2213712
37U 6x8 Primary	1	95.2	804-2213722
37U 6x8 additional	1	70.0	804-2213732
37U 8x6 Primary	1	119.3	804-2213706
37U 8x6 additional	1	101.1	804-2213716
37U 8x8 Primary	1	131.9	804-2213726
37U 8x8 additional	1	106.7	804-2213736
42U 6x6 Primary	1	95.4	804-2213703
42U 6x6 additional	1	74.8	804-2213713
42U 6x8 Primary	1	107.9	804-2213723
42U 6x8 additional	1	79.3	804-2213733
42U 8x6 Primary	1	140.3	804-2213707
42U 8x6 additional	1	119.7	804-2213717
42U 8x8 Primary	1	154.1	804-2213727
42U 8x8 additional	1	125.5	804-2213737
47U 6x6 Primary	1	105.3	804-2213704
47U 6x6 additional	1	82.3	804-2213714
47U 6x8 Primary	1	118.7	804-2213724
47U 6x8 additional	1	86.8	804-2213734
47U 8x6 Primary	1	160.7	804-2213708
47U 8x6 additional	1	137.7	804-2213718
47U 8x8 Primary	1	175.4	804-2213728
47U 8x8 additional	1	143.5	804-2213738

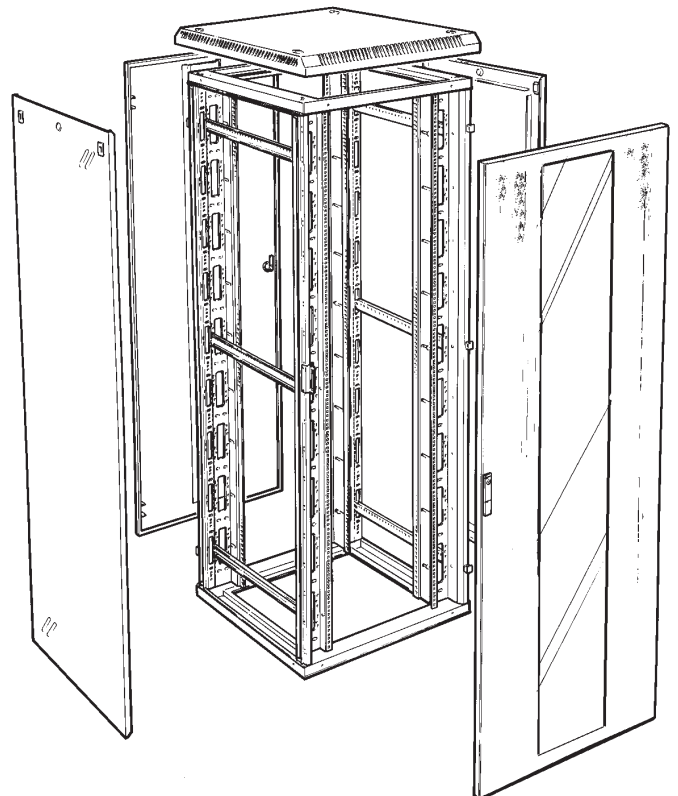
IMRAK Primary Rack Build

600mm wide rack



IMRAK Primary Rack Build

800mm wide rack



IMRAK 1400 Rack builds

Open frame

The IMRAK Open Frame is available in the standard heights of 27U, 37U 42U and 47U. The non preferred heights of 12U, 17U, 22U and 32U are available with a minimum order quantity (MOQ) of 10. The open frame is supplied assembled.

To be used with

The IMRAK open frame can be used as the starting point to configure a unique IMRAK configuration and as a result is used with the entire IMRAK range of components and accessories. These unique 'configured' cabinets are supplied assembled from APW.

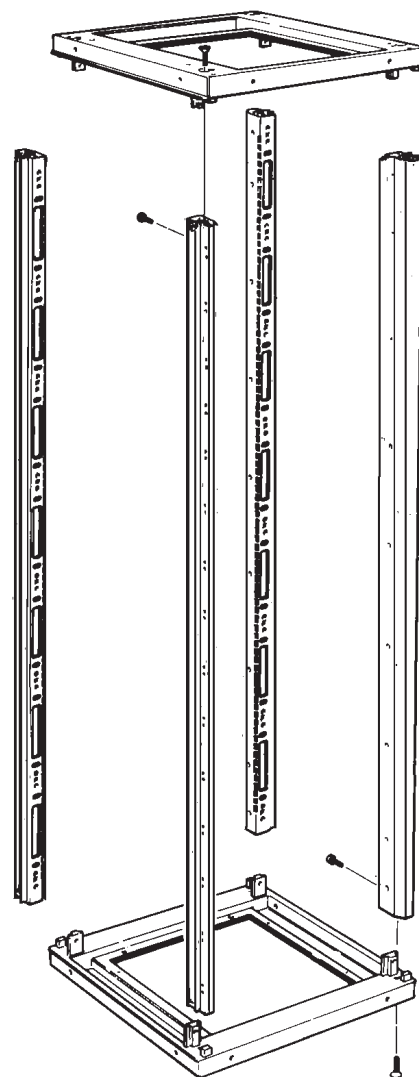
Contents of kit

Description	Qty	Material	finishes	
Verticals	4	1.5 mm steel	Light grey RAL 7035	Black RAL 9011
End frame	2	1.5 mm steel	Grey RAL 7035	Black RAL 9011
M10 bolts	8	Steel	Zinc plated	
M6 screws	8	Steel	Zinc plated	

Load rating and safety specification
Load rating 1,000 Kg

Order table

Height x Width x Depth	M.O.Q.	Net weight for kit (Kg)	Light grey RAL 7035	Black RAL 9011
			Order code	Order code
12U 600x600 mm	10	13.5	804-550001	n/a
12U 600x800 mm	10	16.0	804-550002	n/a
17U 600x600 mm	10	15.5	804-550021	n/a
17U 600x800 mm	10	18.0	804-550022	n/a
22U 600x600 mm	10	17.5	804-550041	n/a
22U 600x800 mm	10	20.0	804-550042	n/a
27U 600x600 mm	1	19.5	804-550061	n/a
27U 600x800 mm	1	22.0	804-550062	n/a
27U 800x600 mm	10	22.0	804-550245	n/a
27U 800x800 mm	10	25.3	804-550246	n/a
32U 600x600 mm	10	21.5	804-550081	n/a
32U 600x800 mm	10	24.0	804-550082	n/a
32U 800x600 mm	10	24.0	804-550265	n/a
32U 800x800 mm	10	27.3	804-550266	n/a
37U 600x600 mm	1	23.5	804-550101	n/a
37U 600x800 mm	1	26.0	804-550102	n/a
37U 800x600 mm	1	26.0	804-550285	n/a
37U 800x800 mm	1	29.3	804-550286	n/a
42U 600x600 mm	1	25.5	804-550121	n/a
42U 600x800 mm	1	28.0	804-550122	n/a
42U 600x1,000 mm	1	30.5	804-339989	804-339985
42U 800x600 mm	1	28.0	804-550305	n/a
42U 800x800 mm	1	31.3	804-550306	n/a
42U 800x1,000 mm	1	34.6	804-339990	804-339986
47U 600x600 mm	1	27.5	804-550141	n/a
47U 600x800 mm	1	30.0	804-550142	n/a
47U 600x1,000 mm	1	32.5	804-339991	804-339987
47U 800x600 mm	1	30.0	804-550325	n/a
47U 800x800 mm	1	33.3	804-550326	n/a
47U 800x1,000 mm	1	36.6	804-339992	804-339988



IMRAK Side panels

Side Panels

Strong, lightweight side panels are easily fitted into position using smooth action slam latches. A centre grommet may be removed and replaced with a lock if required.

To be used with

An IMRAK frame of the same height and depth

Side panel kit if required

Earthing kits if required

Contents of kit

Description	Qty	Material	finishes	
			Light grey RAL 7035	Anthracite RAL 7016
Side panels	2	1.0 mm steel	Grey RAL 7037	Black RAL 9011
Slam latches	4	Plastic	Grey RAL 7037	Black RAL 9011
Lock hole blanks	2	Plastic	Grey RAL 7037	Black RAL 9011

Load rating and safety specification

N/A

Order table

Height x depth	M.O.Q.	Net weight for kit (Kg)	Light grey RAL 7035	Anthracite RAL 7016
			Order code	Order code
12U x 600 mm	10	7.2	802-560283	n/a
12U x 800 mm	10	9.6	802-560284	n/a
17U x 600 mm	10	10.0	802-560303	n/a
17U x 800 mm	10	13.3	802-560304	n/a
22U x 600 mm	10	12.8	802-560323	n/a
22U x 800 mm	10	17.0	802-560324	n/a
27U x 600 mm	1	15.5	802-560343	n/a
27U x 800 mm	1	20.7	802-560344	n/a
32U x 600 mm	10	18.3	802-560363	n/a
32U x 800 mm	10	24.4	802-560364	n/a
37U x 600 mm	1	21.1	802-560383	n/a
37U x 800 mm	1	28.1	802-560384	n/a
42U x 600 mm	1	23.9	802-560403	n/a
42U x 800 mm	1	31.8	802-560404	n/a
42U x 1,000 mm	1	39.8	802-343025	802-343027
47U x 600 mm	1	26.6	802-560423	n/a
47U x 800 mm	1	35.5	802-560424	n/a
47U x 1,000 mm	1	44.4	802-343026	802-343028



IMRAK Baying kits and baying trims

Baying kit

The baying kit is designed for joining two IMRAKs side by side.

To be used with

two IMRAK frames

Vertical & horizontal baying trims are as recommend when baying IMRAK's together.

Contents of kit

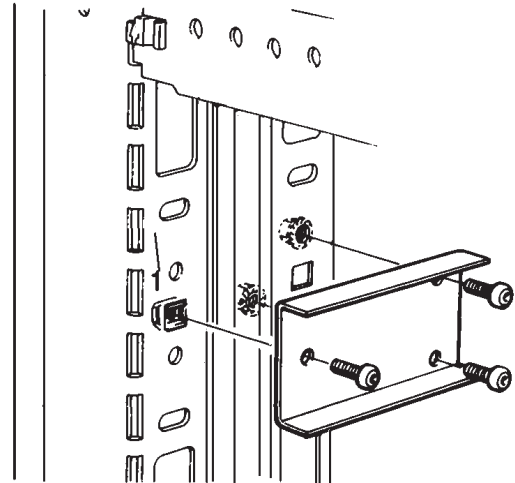
Description	Qty	Material	finishes	
			Light grey RAL 7035	Black RAL 9011
Baying kit	4	2.0 mm steel		
fixings	4			

Load rating and safety specification

N/A

Order table

	M.O.Q.	Net weight for kit (Kg)	Light grey RAL 7035	Black RAL 9011
			Order code	Order code
Baying kit	1	0.3	802-560943	802-343077



Baying kit

IMRAK Baying kits and baying trims

Vertical baying trims

A vertical trim kit is used to create a smooth, neat appearance when two racks are bayed together. Fit is by means of attaching to one rack and allowing the other leg to “float”.

To be used with

Can only be used when cabinets are bayed together using a ‘Baying kit’. Doors or ‘front cover trims’ should also be fitted to both cabinets

Contents of kit

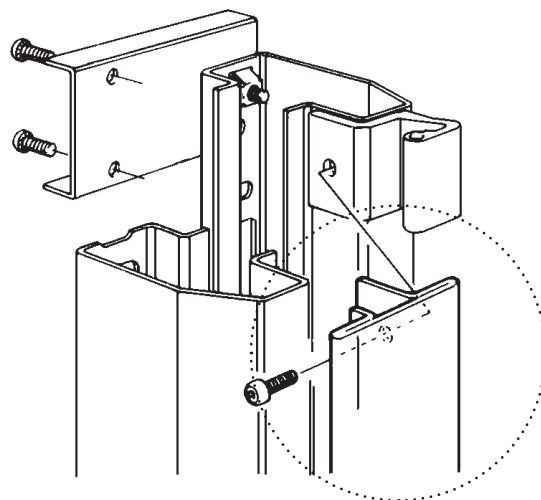
Description	Qty	Material	finishes	
Vertical trims	2	1.0 mm steel	Light grey RAL 7035	Anthracite RAL 7016
Fixings				

Load rating and safety specification

N/A

Order table

Height	M.O.Q.	Net weight for kit (Kg)	Light grey RAL 7035	Anthracite RAL 7016
			Order code	Order code
27U	1	1.8	802-560820	n/a
32U	1	2.1	802-560825	n/a
37U	1	2.5	802-560830	n/a
42U	1	2.8	802-560835	802-339999
47U	1	3.1	802-560840	802-343002



Vertical trim kit

IMRAK Baying kits and baying trims

Horizontal baying trims

A horizontal trim kit is used to complement the vertical trim kit and prevent foreign bodies falling down the slot between the two racks.

To be used with

Can only be used when cabinets are bayed together using a 'Baying kit'.

Contents of kit

Description	Qty	Material	finishes	
Horizontal trim	1	1.0 mm steel	Light grey RAL 7035	Anthracite RAL 7016
Fixings				

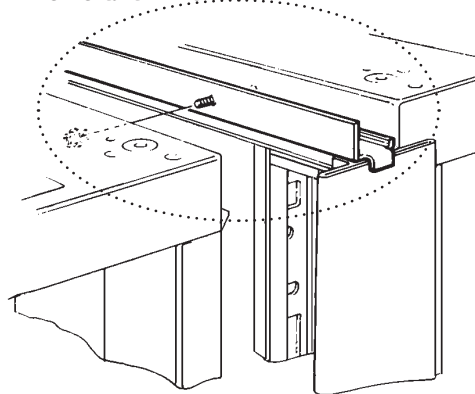
Load rating and safety specification

N/A

Order table

Depth	M.O.Q.	Net weight for kit (Kg)	Light grey RAL 7035	Anthracite RAL 7016
			Order code	Order code
600 mm	1	0.44	802-561047	n/a
800 mm	1	0.58	802-561048	n/a
1,000 mm	1	0.73	802-343003	802-343005

Horizontal trim kit



Perforated and vented doors

Perforated single and double doors plus vented glass doors suitable for the front or rear of IMRAK are available in two colours. Shortened doors can also be fitted to provide space above or below the door for accommodating fan units, grills, touch panels or cable entries.

To be used with

An IMRAK frame of the same height and depth
5U infill panels.
Lock options including electronic locking
Earthing kits.
Glass door trim, earthing kit (glass door only).

Contents of kit

Description	Qty	Material	finishes	
Door Glass door option	1 Double doors 1 pair	1.0 mm steel 4 mm toughen tinted grey glass (6mm for 47U x 800 glass doors)	Dusty grey RAL 7037	Anthracite RAL 7016
Door brackets			Light grey RAL 7035	Black RAL 9011
Hinge pins				
Fixings				
Swing handle				

Load rating and safety specification
N/A

Order table

Fully perforated steel doors - 63% open area	M.O.Q.	Net weight for kit (Kg)	Light grey RAL 7035	Anthracite RAL 7016
			Order code	Order code
Height x width				
42U x 600 mm	1	9.5	802-343113	802-343119
42U x 800 mm	1	12.7	802-343117	802-343120
47U x 600 mm	1	10.7	802-343114	802-343121
47U x 800 mm	1	14.2	802-343118	802-343122

Double, fully perforated steel doors - 63% open area	M.O.Q.	Net weight for kit (Kg)	Light grey RAL 7035	Anthracite RAL 7016
			Order code	Order code
Height x width				
42U x 600 mm	1	11.9	802-343123	802-343127
42U x 800 mm	1	15.9	802-343124	802-343129
47U x 600 mm	1	13.4	802-343125	802-343128
47U x 800 mm	1	17.8	802-343126	802-343130

Glass vented doors	M.O.Q.	Net weight for kit (Kg)	Light grey RAL 7035	Anthracite RAL 7016
			Order code	Order code
Height x width				
42U x 600 mm	1	14.0	802-2213297	802-2213317
42U x 800 mm	1	25.0	802-2213307	802-2213327
47U x 600 mm	1	16.0	802-2213298	802-2213318
47U x 800 mm	1	34.0	802-2213308	802-2213328



Plain steel & glass doors

Doors suitable for the front or rear of IMRAK are available in metal and glass. Shortened doors can also be fitted to provide space above or below the door for accommodating fan units, grills, touch panels or cable entries.

To be used with

An IMRAK frame of the same height and depth
 5U infill panels.
 Swing handles, locking options including electronic locking
 Earthing kits.
 Glass door trim, earthing kit (glass door only).

Contents of kit

Description	Qty	Material	finish
Door Glass door option	1	1.0 mm steel 4 mm toughen tinted grey glass (6mm for 42U & 47U x 800 glass doors)	Dusty grey RAL 7037
Door brackets			Light grey RAL 7035
Hinge pins			
Fixings			
Lock & keys			

Load rating and safety specification
 N/A



Plain steel & glass doors

Order table

Glass doors	M.O.Q.	Net weight for kit (Kg)	grey RAL 7037	Anthracite RAL 7016
Height x width			Order code	Order code
12U x 600 mm	10	3.9	802-2213111	N/A
12U x 800 mm	10	5.5	802-2213121	N/A
17U x 600 mm	10	5.4	802-2213112	N/A
17U x 800 mm	10	7.6	802-2213122	N/A
22U x 600 mm	10	6.9	802-2213113	N/A
22U x 800 mm	10	9.7	802-2213123	N/A
27U x 600 mm	1	8.0	802-2213114	N/A
27U x 800 mm	1	11.8	802-2213124	N/A
32U x 600 mm	10	9.9	802-2213115	N/A
32U x 800 mm	10	14.0	802-2213125	N/A
37U x 600 mm	1	11.0	802-2213116	N/A
37U x 800 mm	1	16.0	802-2213126	N/A
42U x 600 mm	1	14.0	802-2213117	N/A
42U x 800 mm	1	25.0	802-2213127	N/A
47U x 600 mm	1	16.0	802-2213118	N/A
47U x 800 mm	1	34.0	802-2213128	N/A

Steel plain doors	M.O.Q.	Net weight for kit (Kg)	grey RAL 7037	Anthracite RAL 7016
Height x width			Order code	Order code
12U x 600 mm	10	3.6	802-563389	N/A
12U x 800 mm	10	4.8	802-563397	N/A
17U x 600 mm	10	5.0	802-563390	N/A
17U x 800 mm	10	6.7	802-563398	N/A
22U x 600 mm	10	6.4	802-563391	N/A
22U x 800 mm	10	8.5	802-563399	N/A
27U x 600 mm	1	7.8	802-563392	N/A
27U x 800 mm	1	10.4	802-563400	N/A
32U x 600 mm	10	9.2	802-563393	N/A
32U x 800 mm	10	12.2	802-563401	N/A
37U x 600 mm	1	10.5	802-563394	N/A
37U x 800 mm	1	14.1	802-563402	N/A
42U x 600 mm	1	11.9	802-563395	N/A
42U x 800 mm	1	15.9	802-563403	N/A
47U x 600 mm	1	13.3	802-563396	N/A
47U x 800 mm	1	17.8	802-563404	N/A



IMRAK Front cover trims

Front cover trims & Coach lines

Front cover trims

For applications where no doors are required, a set of aluminium trims may be fitted. Cover trims are supplied in pairs painted in RAL 7037 and with an inset green plastic "coach line".
As an option, red or blue coach lines may be specified at extra cost.

To be used with

An IMRAK frame of the same height

Contents of kit

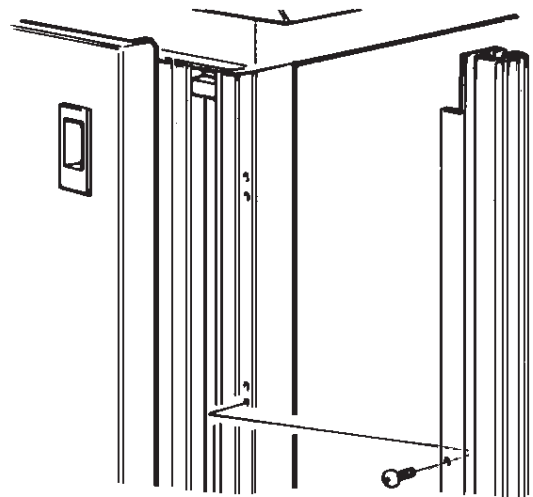
Description	Qty	Material	finish
Cover trims	2	aluminium	Dusty grey RAL 7037
Green coach line	2	Plastic	
Fixings			

Load rating and safety specification

N/A

Order table

Height	M.O.Q.	Net weight for kit (Kg)	grey RAL 7037	Anthracite RAL 7016
			Order code	Order code
12U	10	0.95	802-560600	n/a
17U	10	1.35	802-560605	n/a
22U	10	1.75	802-560610	n/a
27U	1	2.14	802-560615	n/a
32U	10	2.54	802-560620	n/a
37U	1	2.94	802-560625	n/a
42U	1	3.34	802-560630	n/a
47U	1	3.73	802-560635	n/a



IMRAK Front cover trims

Coach lines

A green plastic coach line is fitted to the 'cover trims' and 'glass door' as a standard, free-of-charge highlight colour. Alternative colours – or extra green coach lines – may be specified for an additional cost.

To be used with

IMRAK glass doors or front cover trims

Contents of kit

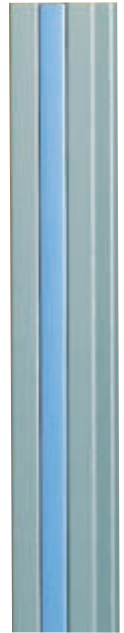
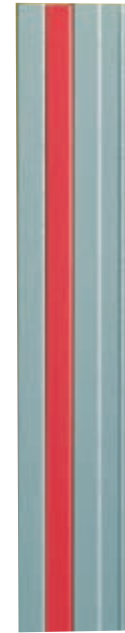
Description	Qty	Material	finish
coach line	2 x 2.2 m	Plastic	N/A

Load rating and safety specification

N/A

Order table

Height	M.O.Q.	Net weight for kit (Kg)	Order code
Green	1	N/A	802-562230
Red	1	N/A	802-562232
Blue	1	N/A	802-562231



IMRAK Infill Panels panels

Infill Panels

These panels have a nominal size of 5U. For example, a panel plus 37U door would fit a 42U enclosure. They may be fitted above and/or below a glass or steel door.

Typical uses are to allow mechanical handling of cables i.e. to accept connectors/cable glands, or bulk cable access using the cable brush version.

To be used with

Front and rear doors.

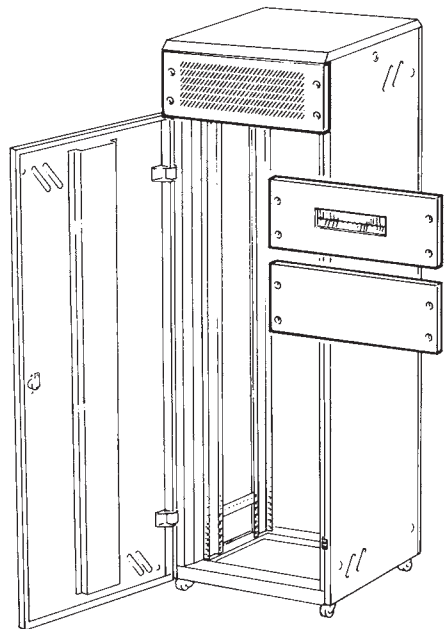
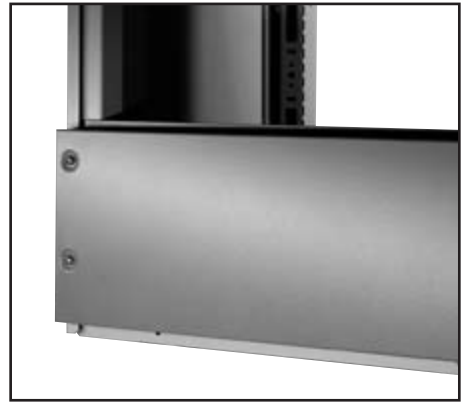
Contents of kit

Description	Qty	Material	finishes	
5U Panel	2	1.0 mm steel	Grey RAL 7037	
Mounted brackets	4	aluminium	Light grey RAL 7035	
Fixings				

Load rating and safety specification
N/A

Order table

Height x width	M.O.Q.	Net weight for kit (Kg)	grey RAL 7037	Anthracite RAL 7016
			Order code	Order code
5Ux600 unventilated	1	1.7	802-561042	n/a
5Ux800 unventilated	1	2.2	802-561043	n/a
5Ux600 ventilated	1	1.7	802-561044	n/a
5Ux800 ventilated	1	2.2	802-561045	n/a
5Ux600 with cable brush	1	1.7	802-563581	n/a
5Ux800 with cable brush	1	2.2	802-563582	n/a



IMRAK top covers

Top covers

SIDE VENTED

High top side vented – allows air flow through side slots.

FULLY VENTED

High top fully vented – allows air flow through a matrix of square top holes as well as side slots.

Recommended when fan trays are to be used.

IMRAK ServerMax FULLY VENTED WITH CABLE ENTRY

High top fully vented with 63% open area perforation plus a glanded cable entry area 402 x 122 mm.

Note, this top cover is only available for 1,000 mm deep IMRAK ServerMax Cabinets.

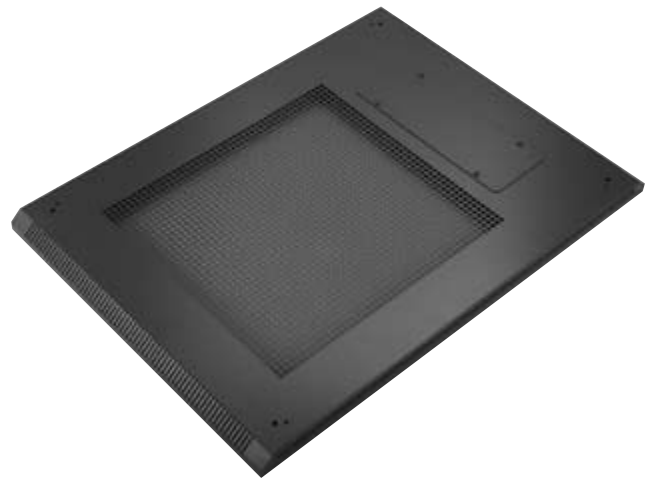
To be used with

An IMRAK frame of the same plan size

Earthing kits if required

Top mounted fan trays

IMRAK ServerMax top can be used with a 'cable entry brush kit'



Contents of kit

Description	Qty	Material	finishes	
			grey RAL 7037	Anthracite RAL 7016
Top cover	1	1.0 mm steel	grey RAL 7037	Anthracite RAL 7016
Screw cover mouldings	4	Plastic	grey RAL 7037	Black RAL 9011
Spacers	4	Steel	zinc plated	
Fixing screws	4	Steel	zinc plated	

Load rating and safety specification

N/A

Order table

Height x depth	M.O.Q.	Net weight for kit (Kg)	grey RAL 7037	Anthracite RAL 7016
			Order code	Order code
600x600 side vented	1	4.2	802-560655	n/a
600x800 side vented	1	5.4	802-560656	n/a
800x600 side vented	1	5.6	802-560659	n/a
800x800 side vented	1	7.1	802-560660	n/a
600x600 fully vented	1	4.2	802-560647	n/a
600x800 fully vented	1	5.4	802-560648	n/a
800x600 fully vented	1	5.6	802-560651	n/a
800x800 fully vented	1	7.1	802-560652	n/a
600x1,000 ServerMax top	1	6.5	802-343069	802-343071
800x1,000 ServerMax top	1	8.7	802-343070	802-343072
Cable entry brush kit	1		802-343073	

IMRAK panel mounts

19" Panel Mounting Angles - 'Standard'

Panel mounts are supplied in pairs to provide 19" mounting positions with hole patterns to accept captive nuts on universal centres. Incorporated into the design of the mounts are notches in the centre of each U height which makes the positioning of the cage nuts much easier. The panel mounting may be attached directly to the corner vertical, in which case front to rear adjustment is 60mm per panel mount. Alternatively the panel mount may be fitted onto panel mount angle supports giving infinite adjustment throughout the depth of the rack.

To be used with

An IMRAK frame of the same height or taller
 'Reducing Cable Channels' required in 800 mm wide cabinets
 'Panel Mount Angle Supports' if full adjustment through the depth of the cabinet is needed.
 'Panel Mount Angle Spacing kit' if 'Panel Mount Angel Supports' are to be set out towards the side panel.
 Earthing kits if required.
 Chassis supports and all other 19" mounted accessories mount on these 19" Panel Mount Angles.



Contents of kit

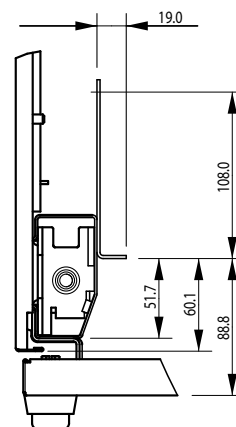
Description	Qty	Material	finishes		
19" Panel Mounting Angles - 'Standard'	2	2.0 mm steel	Light grey RAL 7035	Black RAL 9011	Zinc plated

Fixings

Load rating and safety specification
 500 kg per pair

Order table

Height x depth	M.O.Q.	Net weight for kit (Kg)	Light grey RAL 7035	Black RAL 9011	Zinc plated 'conductive'
			Order code	Order code	Order code
6U	1	1.011	802-343042	n/a	n/a
12U	10	2.0	802-343043	n/a	n/a
14U	1	2.4	802-343892	802-343893	n/a
19U	1	2.9	802-343895	802-343896	n/a
17U	10	3.2	802-343044	n/a	n/a
22U	10	3.7	802-343045	n/a	n/a
27U	1	4.6	802-343046	n/a	n/a
32U	10	5.4	802-343047	n/a	n/a
37U	1	6.2	802-343048	n/a	n/a
42U	1	7.1	802-343049	802-343053	802-343055
47U	1	7.9	802-343050	802-343054	802-343056



IMRAK panel mounts

19" Panel Mounting Angles - 'Simple'

Simple 19" panel mounts are supplied in pairs to provide 19" mounting positions on universal centres. The centre of each U height is notched, making the positioning of cage nuts much simpler.

Simple 19" panel mounts may be attached directly to the corner vertical, 60mm from the front door, or onto panel mount angle supports giving adjustment throughout the depth of the rack in 20mm increments. They allow directly fixed chassis trays to be used when the panel mounts are fitted onto the verticals.

Simple 19" panel mounts have no side mounting positions.

To be used with

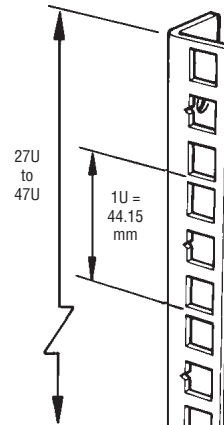
An IMRAK frame of the same height or taller
 'Reducing Cable Channels' required in 800 mm wide cabinets
 'Panel Mount Angle Supports' if adjustment in 20 mm increments through the depth of the cabinet is needed.
 Earthing kits if required.
 Directly fixed chassis trays

Contents of kit			
Description	Qty	Material	finishes
19" Panel Mounting Angles - 'Simple'	2	2.0 mm steel	Light grey RAL 7035
Fixings			

Load rating and safety specification
 N/A

Order table

Height x depth	M.O.Q.	Net weight for kit (Kg)	Light grey RAL 7035
			Order code
27U	1	1.0	802-562382
37U	1	1.5	802-562392
42U	1	1.7	802-562397
47U	1	1.9	802-562402



IMRAK panel mounts

Panel Mounting Supports

These fit between vertical members to allow adjustment of the panel mounts at any position along IMRAK's framework.

To be used with

An IMRAK frame of the same depth
 19" Panel Mounting Angles - Standard
 19" Panel Mounting Angles - Simple
 Cable Reducing Channels in 800 mm wide cabinet applications
 Panel Mounting Angle Spacer kit when 'Panel Mounting Supports' are set out towards the side panels.
 Vertical cable trays can be fitted to these members

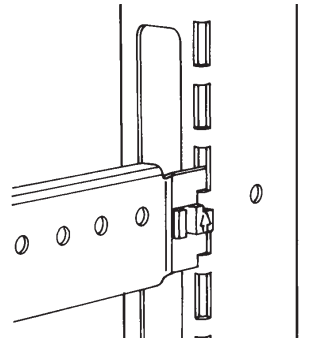
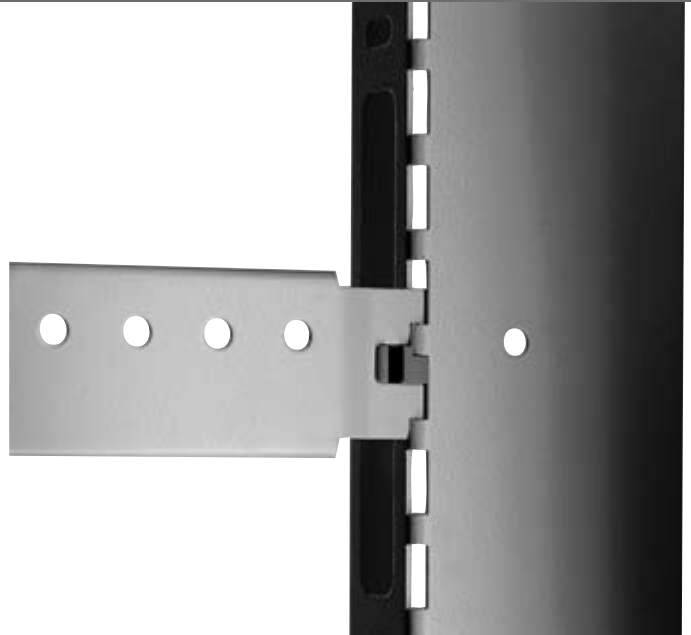
Contents of kit

Description	Qty	Material	finishes	
Panel Mount Supports	2	1.5 mm steel	Light grey RAL 7035	Black RAL 9011
Clips	4	Plastic	Grey RAL 7037	Black RAL 9011

Load rating and safety specification
 200 kg per pair

Order table

Height x depth	M.O.Q.	Net weight for kit (Kg)	Light grey RAL 7035	Black RAL 9011
			Order code	Order code
600 mm	1	0.6	802-560545	n/a
800 mm	1	0.9	802-560546	n/a
1,000 mm	1	1.1	802-343034	802-343035



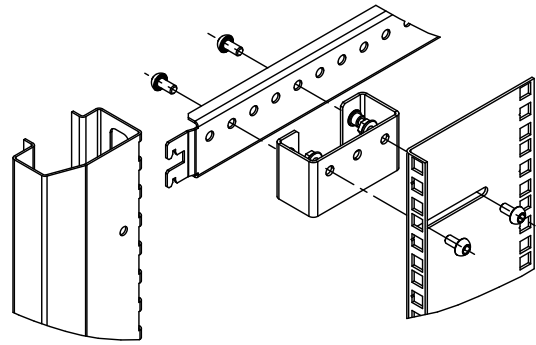
IMRAK panel mounts

Panel Mount Angle Spacing kit

This bracket can only be used when the panel mounting angle supports have been mounted out towards the side panel. Using the panel mount angle spacing bracket extra cable management room can be gained outside the 19" width, and behind the vertical.

To be used with

An IMRAK frame 600 mm wide.
Must be bolted to a set of 'Panel Mount Angel Supports'. On to the bracket either
19" Panel Mounting Angles - Standard or 19" Panel Mounting Angles - Simple can be fixed.



Panel mounting angle spacing bracket

Contents of kit

Description	Qty	Material	finishes	
			Light grey RAL 7035	Black RAL 9011
Spacer bracket	2	1.5 mm steel		
fixings		Steel		

Load rating and safety specification
200 kg per pair

Order table

Height x depth	M.O.Q.	Net weight for kit (Kg)	Light grey RAL 7035	Black RAL 9011
			Order code	Order code
Spacing kit	1	0.18	802-563574	802-343066

IMRAK panel mounts

Cable Reducing Channels

Reducing cable channels are suitable for 800mm wide racks only. These units are supplied in pairs and may be attached directly to the corner vertical, or fitted onto panel mount angle supports. Reducing cable channels have been designed to support panel mounting angles. The appropriate size and type of panel mounting angles also need to be ordered.

To be used with

IMRAK 800 mm wide frames of the same height or taller
 19" Panel Mount Angles - Standard
 19" Panel Mount Angles - Simple
 Earthing kits if required.

Contents of kit

Description	Qty	Material	finishes	
			Light grey RAL 7035	Black RAL 9011
Side panels	2	2.0 mm steel		
Fixings				

Load rating and safety specification
 500 kg a pair

Order table

Height x depth	M.O.Q.	Net weight for kit (Kg)	Light grey RAL 7035	Black RAL 9011
			Order code	Order code
6U	10	1.9	802-563565	n/a
12U	10	3.7	802-563566	n/a
17U	10	5.3	802-563567	n/a
22U	10	6.8	802-563568	n/a
27U	1	8.3	802-563569	n/a
32U	10	9.9	802-563570	n/a
37U	1	11.4	802-563571	n/a
42U	1	13.0	802-563572	802-343060
47U	1	14.5	802-563573	802-343065



IMRAK feet and casters

Bolting down plate

This kit of 4 rectangular plates allows the base frame to be bolted down, using 12mm bolts (not supplied).

To be used with
IMRAK end frame

Contents of kit			
Description	Qty	Material	finishes
Bolting down plates	4	2.0 mm steel	Light grey RAL 7035

Load rating and safety specification
N/A

Order table				
	M.O.Q.	Net weight for kit (Kg)	Light grey RAL 7035	Anthracite RAL 7016
			Order code	Order code
Bolting down plates	1	0.72	802-562415	n/a



IMRAK feet and casters

Castors

Two types of castor are available. All castor loads are stated under average conditions, fitted to the rack bolt on mounting plates. Available in braked and unbraked versions.

To be used with
IMRAK end frame

Contents of kit

Description	Qty	Material	finishes
Heavy duty castor 4	kit of 4 castors & 4 mounting plates		
Heavy duty braked/unbraked castor kit	Kit of 2 braked & 2 unbraked castors plus 4 mounting plates		
Light/medium duty castor 4	kit of 4 castors		
Light/medium duty braked/unbraked castor kit	Kit of 2 braked plus 2 unbraked castors		

Load rating and safety specification

Light/medium duty	65kg per castor in average conditions
Heavy duty	115kg per castor in average conditions

Order table

Description	M.O.Q.	Net weight for kit (Kg)	Order code
Heavy duty castor 4	1	2.9	802-560003
Heavy duty braked/unbraked castor kit	1	3.0	802-561556
Light/medium duty castor 4	1	0.5	802-561557
Light/medium duty braked/unbraked castor kit	1	0.5	802-560002



IMRAK feet and casters

Adjustable feet

These allow you to align your rack on uneven surfaces. Adjustable feet are screwed directly into the corner blocks, using 10mm threads. An adaptor is required when feet are to be fitted as well as heavy duty castors. Adjustment is between 25mm and 40mm.

To be used with

Adjustable feet to be used with an IMRAK end frame
Adjustable foot adaptors are required when heavy duty castors are also fitted or when a 100 mm plinth is fitted and adjustable feet are also needed.

Note, adjustable feet can not be used at the same time as light/medium duty castors as both are fixed via the same 10mm threaded hole in the end frame.

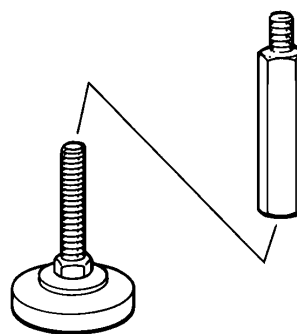
Contents of kit

Description	Qty	Material	finishes
Adjustable feet	4	Black pastic foot, steel stem	zinc plated
Adj.foot adaptors	4	Steel	zinc plated

Load rating and safety specification
1000 kg for a set of four

Order table

	M.O.Q.	Net weight for kit (Kg)	Light grey RAL 7035	Anthracite RAL 7016
			Order code	Order code
Adjustable feet	1	0.33	802-560001	n/a
Adj.foot adaptors		0.50	802-560944	



IMRAK bottom gland plates

Bottom gland plates

Gland plates are used to seal off the cable aperture in the base of the rack. Half gland plates allow a cable entry kit to be fitted in the centre position. The cable entry kit consists of two brushes through which cable may be pushed.

To be used with
IMRAK end frame

Contents of kit			
Description	Qty	Material	finishes
Bolting down plates	1	2.0 mm steel	Light grey RAL 7035
Half gland plate	2	2.0 mm steel	Light grey RAL 7035

Load rating and safety specification
N/A

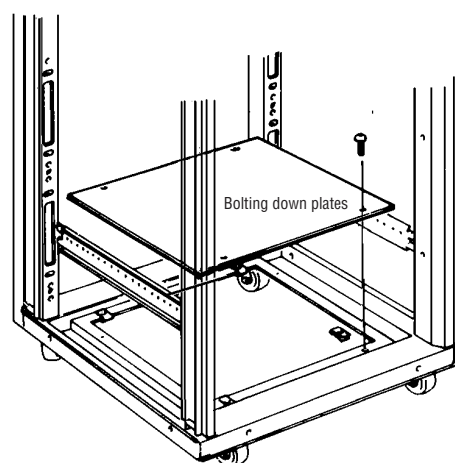
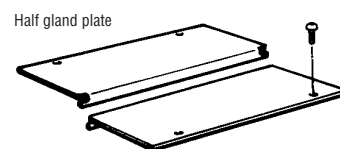
Order table

Full gland plate	M.O.Q.	Net weight for kit (Kg)	Light grey RAL 7035
Width x depth			Order code
600 x 600 mm	1	3.2	802-560946
600 x 800 mm	1	4.7	802-560947
600 x 1,000 mm			n/a
800 x 600 mm	1	4.7	802-560950
800 x 800 mm	1	6.8	802-560951
800 x 1,000 mm			n/a

Half gland plates	M.O.Q.	Net weight for kit (Kg)	Light grey RAL 7035
Width x depth			Order code
600 x 600 mm	1	2.8	802-560954
600 x 800 mm	1	4.2	802-560955
600 x 1,000 mm			n/a
800 x 600 mm	1	4.0	802-560958
800 x 800 mm	1	6.0	802-560959
800 x 1,000 mm			n/a

Cable entry kit for use with the 'half gland plates'

600 mm wide	1		802-561007
800 mm wide	1		802-561008



IMRAK plinths

100 mm plinths

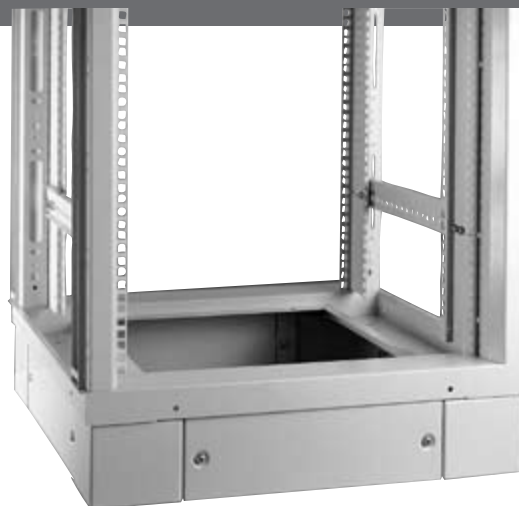
Plinths as complet kits

Plinth kits are available in two heights; 100mm or 200mm. Plinth kits consist of four identical corner sections and four infill sections which allow easy modification for cable entry. Adjustable feet, which will align IMRAK on uneven surfaces, can be fitted to a plinth when the use of 'adjustable foot adaptors'. Plinths may be stacked to provide additional height.

To be used with

IMRAK end frame

Adjustable feet when adjustable foot adaptors are also fitted.



Contents of kit

Description	Qty	Material	finishes	
Plinth corners	4	2.0 mm steel	Light grey RAL 7035	Anthracite RAL 7016
Side trims	2	1.0 mm steel	Light grey RAL 7035	Anthracite RAL 7016
Front & rear trims	2	1.0 mm steel	Light grey RAL 7035	Anthracite RAL 7016

Load rating and safety specification

1,000 kg

Order table

W X D	M.O.Q.	Net weight for kit (Kg)	Light grey RAL 7035	Anthracite RAL 7016
			Order code	Order code
600 x 600	1	5.1	802-592667	N/A
600 x 800	1	5.5	802-592668	N/A
600 x 1,000	1	6.0	802-343153	802-343157
800 x 600	1	5.5	802-592669	N/A
800 x 800	1	5.9	802-592670	N/A
800 x 1,000	1	6.4	802-343154	802-343158

Plinths as piece parts

Plinth corner 100 mm and 200 mm high

Contents of kit

Description	Qty	Material	finishes	
Plinth corners	4	2.0 mm steel	Light grey RAL 7035	Anthracite RAL 7016

Order table

	M.O.Q.	Net weight for kit (Kg)	Light grey RAL 7035	Anthracite RAL 7016
			Order code	Order code
100 mm plinth corners	1	3.3	802-561033	802-343149
200 mm plinth corners	10	6.0	802-563030	N/A



Plinth side trims 100 mm and 200 mm high

Contents of kit

Description	Qty	Material	finishes	
Plinth side trims	2	1.0 mm steel	Light grey RAL 7035	Anthracite RAL 7016

Order table

H x D	M.O.Q.	Net weight for kit (Kg)	Light grey RAL 7035	Anthracite RAL 7016
			Order code	Order code
100 x 600 mm	1	0.9	802-561035	N/A
100 x 800 mm	1	1.3	802-561036	N/A
100 x 1,000 mm	1	1.76	802-343148	802-343152
200 x 600 mm	10	1.8	802-563032	N/A
200 x 800 mm	10	2.6	802-563033	N/A

Plinth front & rear trims 100 mm and 200 mm high

Contents of kit

Description	Qty	Material	finishes	
Plinth front and rear	2	1.0 mm steel	Light grey RAL 7035	Anthracite RAL 7016

Order table

H x w	M.O.Q.	Net weight for kit (Kg)	Light grey RAL 7035	Anthracite RAL 7016
			Order code	Order code
100 x 600 mm	1	0.9	802-561038	802-343150
100 x 800 mm	1	1.3	802-561039	802-343151
200 x 600 mm	10	1.8	802-563034	N/A
200 x 800 mm	10	2.6	802-563035	N/A

IMRAK plinths

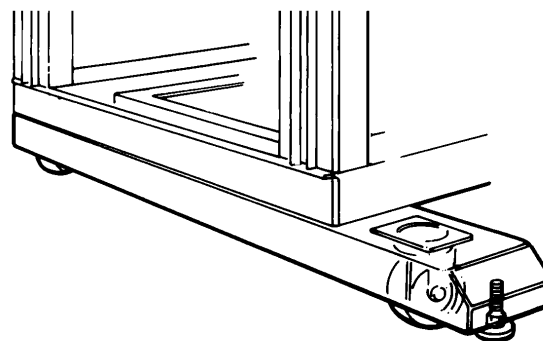
Extension plinth

Extension plinths are designed to provide increased stability when using heavy equipment, and are recommended for cabinets fitted with 800mm glass doors or heavy duty sliding shelves. Each plinth has fixing studs for heavy duty castors, and threads fitted to take adjustable feet.

Castors and adjustable feet must be ordered separately.

To be used with

To be fitted to IMRAK end frames are recommended for use when heavy equipment is mounted into the cabinet on slides.



Contents of kit

Description	Qty	Material	finishes	
			Light grey RAL 7035	Anthracite RAL 7016
Extension members	2	1.5 mm steel		
fixing				

Load rating and safety specification
1,000 kg

Order table

Depth of cabinet	M.O.Q.	Net weight for kit (Kg)	Light grey RAL 7035	Anthracite RAL 7016
			Order code	Order code
600 mm	1	9.0	802--561030	N/A
800 mm	1	11.0	802--561031	N/A
1,000 mm	1	13.0	802--343155	802-343156

IMRAK plinths

'Raft' - floor tile replacement plinth

The 'Raft mounting system' (floor tile replacement plinth) replaces the 600 x 600 mm floor tile with a raised plinth that allows can size of IMRAK cabinet to site onto the plinth. The 'Raft' permits the floor tile in front of and behind the cabinet to be removed so access to the false floor void can be easily gained.

When 800 mm wide IMRAK's must be used in bays (groups) of three. A bays of three cabinets, total width 2,400 mm (3 x 800 = 2,400 mm), fitted onto a row of four 'Rafts' (4 x 600mm = 2,400 mm)

To be used with

To be fitted to IMRAK end frames are recommend for used when Heavy equipment is mounted into the cabinet on slides.

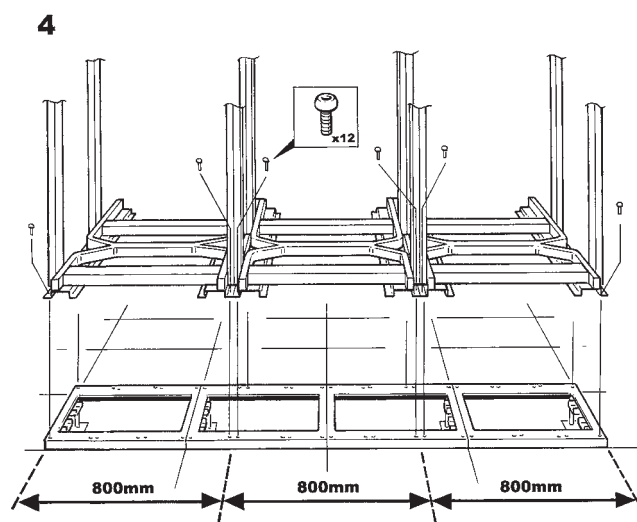
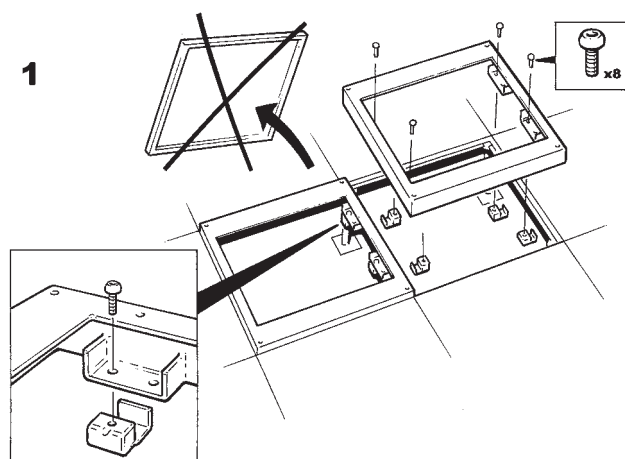
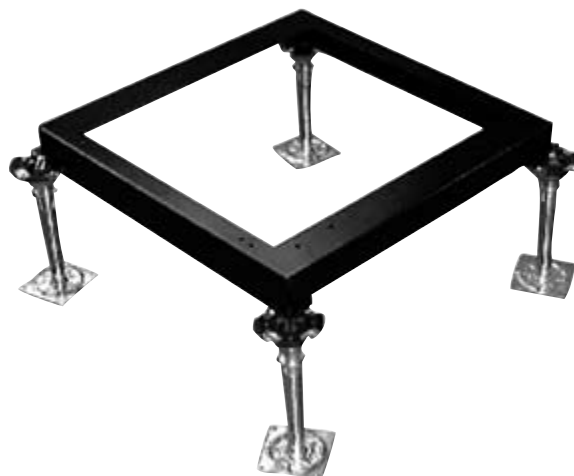
Contents of kit

Description	Qty	Material	finishes
Extension members	2	1.5 mm steel	Black RAL 9011 fixing

Load rating and safety specification
1,000 kg

Order table

Depth of cabinet	M.O.Q.	Black RAL 9011
		Order code
600 x 600 mm raft	1	802-3635445



IMRAK fan trays

Top mounted fan trays

STANDARD FAN TRAYS

Top mounted fan trays are available to aid the cooling of your rack-housed equipment. These may be retro-fitted to the IMRAK 1400, and occupy none of the useable U height. Fan trays are supplied with four or six fans

Top fan trays have blanking plates fitted in all unused positions. Connection to all fans is by means of a CEE 22 mains inlet, which must be ordered separately. Select appropriate mains lead from lower table

To be used with

To be fitted into the appropriate IMRAK top end frame. Power lead needs to be order separately.



Contents of kit			
Description	Qty	Material	finishes
Steel fan tray	1	1.5 mm steel	Light grey RAL 7035
Fan units	4 or 6		
Wiring	1 kit		
CEE connector	1		
Blanking panel on 1,000 deep fan trays			
fixing			

Rating and safety specification

STANDARD TOP MOUNT FAN TRAY

FANS	CFM	M3/Hr	*HEAT REMOVED (watts)
4	380	644	2150

*Note: All Heat loads based on a 10oC rise with no system resistance

W x D	M.O.Q.	Net weight for kit (Kg)	Light grey RAL 7035
Stanard fan trays			Order code
600 x 600 mm, 4 fan unit	1	3.6	802-560475
600 x 800 mm, 4 fan unit	1	4.8	802-560476
600 x 800 mm, 6 fan unit	1	5.3	802-3635411
600 x 1,000 mm, 4 fan unit	1	6.0	802-3635413
600 x 1,000 mm, 6 fan unit	1	6.5	802-3635414
800 x 600 mm, 4 fan unit	1	4.8	802-560479
800 x 800 mm, 4 fan unit	1	6.5	802-560480
800 x 800 mm, 6 fan unit	1	7.0	802-3635412
800 x 1,000 mm, 4 fan unit	1	8.2	802-3635415
800 x 1,000 mm, 6 fan unit	1	8.7	802-3635416
Replacement fan	1	0.25	548-238116

Low noise fan trays

600 x 600 mm, 4 fan unit	1	3.6	802-563089
600 x 800 mm, 4 fan unit	1	4.8	802-563090
600 x 1,000 mm, 4 fan unit	1	6.0	802-3635417
800 x 600 mm, 4 fan unit	1	4.8	802-563093
800 x 800 mm, 4 fan unit	1	6.5	802-563094
800 x 1,000 mm, 4 fan unit	1	8.2	802-3635418
Replacement fan	1	0.25	548-240522

Power leads for fan trays

2 m 13A (UK) plug fitted	1		802-561559
2 m Schuko (Franch/German) plug fitted	1		8022-562463

IMRAK fan trays

Monitored fan tray

IMRAK MFT is a new concept in fan trays. This product applies the IMRAK concept of 'Configured as Required' to temperature control. The IMRAK MFT contains all the basic monitoring and control features for a rack.

IMRAK MFT also provides considerable opportunity to expand its sophistication with the addition of accessories.

Features

- Lower average noise level at room temperature
- Extended MTBF (mean time before failure) due to lower average speed
- Fans controlled individually or in groups
- Local or remote monitoring and alarm
- Variable or constant temperature range monitoring
- World wide voltage input
- World wide approvals; CE, UL and CSA

To be used with

To be fitted into the appropriate IMRAK top end frame. Power lead needs to be ordered separately.



Contents of kit			
Description	Qty	Material	finishes
Steel fan tray	1	1.5 mm steel	Light grey RAL 7035
Electronic control system	1		
Fan units	4		
Wiring	1 kit		
CEE connector	1		
Blanking panel on 800 & 1,000 mm deep fan trays			
fixing			
Rating and safety specification			

Order table			
W x D	M.O.Q.	Net weight for kit (Kg)	Light grey RAL 7035
			Order code
600 x 600 mm	1	4.1	802-48500
600 x 800 mm	1	5.3	802-48510
600 x 1,000 mm	1	6.5	802-3635419
800 x 600 mm	1	5.3	802-48520
800 x 800 mm	1	7.0	802-48530
800 x 1,000 mm	1	8.7	802-3635420

IMRAK lock options

Lock options

Both the metal and glass doors can have a swing handle fitted as an option. The steel perforated and glass vented doors have swing handles and lock blanks fitted as standard. When a lock is not required a lock blank fills the hole in the swing handle. It also acts as a spring clip, holding the handle into its housing. Please note, the locks for the swing handle need to be ordered separately.

Keyed alike lock – self locking

All locks supplied with the same key and the door automatically locks when closed.

Keyed alike lock – manual locking

All locks supplied with the same key. To lock the door the key must be turned.

Triangular key drive lock – self locking

The lock is operated by a triangular 'machine cabinet' drive. The door automatically locks when closed.

To be used with

To be fitted to both glass and steel doors

Contents of handle kit

Description	Qty	Material	finishes
Swing handle	1	plastic	black
Fixings			

Contents of lock kits

Description	Qty	Material	finishes
Lock	1	Steel	

Load rating and safety specification

N/A

Order table

	M.O.Q.	Order code
Swing handle – IMRAK	1	802-563494
Keyed alike lock – self locking *	1	802-563532
Keyed alike lock – manual locking *	1	802-563610
Triangular key drive lock	1	802-563533

* To match side panel high security locks with keyed alike swing handle locks.



IMRAK lock options

Side Panel Locks

For lockable side panels, simply order a kit of two locks. Two versions are available; a standard version using the same key as the standard lock, and a high security version which uses the same key as the swing-handle.

To be used with

To be fitted to side panels

Contents of kit

Description	Qty	Material	finishes
Locks	2	Steel	chrome
Fixings			

Load rating and safety specification

N/A

Order table

	M.O.Q.	Net weight for kit (Kg)	Order code
Side panel lock - Standard security	1		802-560004
Side panel lock - High security	1		802-563738



IMRAK supports, trays and shelves

Chassis supports

These steel supports may be varied along the depth of the rack and offer an ideal method of supporting heavy equipment. When used in conjunction with 19" equipment they position cardframes accurately in line with U heights. The horizontal sections of the supports are pre-punched to allow the chassis trays to be fitted without further drilling. An extra 15mm width is available when chassis supports are fitted directly to panel mounting angle supports as maximum chassis width is then 465mm. Nominal load rating is 50kg. Chassis supports are sold in pairs.

To be used with

To be fitted to 'standard 19" Panel Mount Angles or fitted directly to Panel Mount Angle Supports
Chassis trays and Heavy duty shelves mount onto Chassis Supports



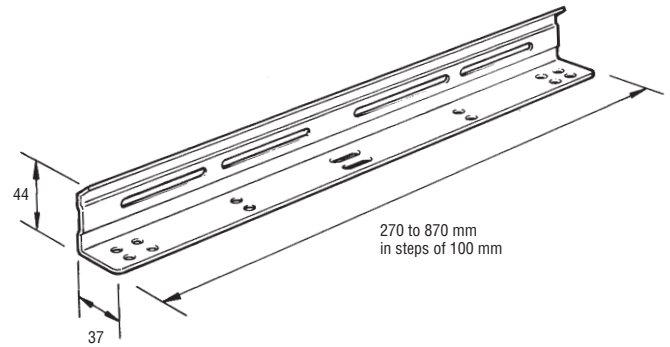
Contents of kit				
Description	Qty	Material	finishes	
Chassis Support	2	1.5 mm steel	Light grey RAL 7035	Black RAL 9011
fixing				

Load rating and safety specification
50 kg

Order table

Length (min cabinet depth)	M.O.Q.	Net weight for kit (Kg)	Light grey RAL 7035	Black RAL 9011
			Order code	Order code
270 mm (400 mm)	10	0.5	802-561009	802-343179
370 mm (500 mm)	1	0.7	802-561561	802-343180
470 mm (600 mm)	1	0.8	802-561010	802-343181
570 mm (700 mm)	1	1.0	802-561562	802-343182
670 mm (800 mm)*	1	1.2	802-561011	802-343183
770 mm	1	1.4	802-343186	802-343184
870 mm	10	1.6	802-343187	802-343185

* Recommended for supporting servers in 800 and 1000mm deep cabinet



IMRAK supports, trays and shelves

Chassis trays

These steel trays come in four depths so that the correct depth for your installation may be selected without interfering with cabling or power distribution at the rear. The slots in the tray allow for good airflow and, at the same time, offer a selection of fixing positions to allow modems and instruments to be screwed into position. With this style of tray a pair of chassis supports is also required.

Notes: The units for 600mm or 800mm wide may be supported on chassis supports bolted to panel mounting angle supports.

For 600mm wide units fitted on chassis supports, and in turn on panel mountings, four panel mountings must be fitted.

To be used with

To be fitted onto Chassis Supports



Contents of kit

Description	Qty	Material	finishes	
			Light grey RAL 7035	Black RAL 9011
Chassis tray	1	1.5 mm steel		
fixing				

Load rating and safety specification
50 kg

Order table

W X D	M.O.Q.	Net weight for kit (Kg)	Light grey RAL 7035	Black RAL 9011
			Order code	Order code
19" (600mm) x 256 mm	1	1.8	802-561013	802-343171
19" (600mm) x 356 mm	1	2.5	802-561014	802-343172
19" (600mm) x 456 mm	1	3.2	802-561015	802-343173
19" (600mm) x 556 mm	1	3.9	802-561016	802-343174
800 x 256 mm	1	2.6	802-561017	802-343175
800 x 356 mm	1	3.6	802-561018	802-343176
800 x 456 mm	1	4.6	802-561019	802-343177
800 x 556 mm	1	5.6	802-561020	802-343178

IMRAK supports, trays and shelves

Heavy duty shelves

For applications where heavy loads are required, this shelf offers a load capacity of 100 kg. Slotted holes offer limited air passage and also provide simple fixing positions.

To be used with

Must be fitted to two pairs of Chassis Supports

Contents of kit

Description	Qty	Material	finishes	
Heavy duty shelf	1	1.5 mm steel	Light grey RAL 7035	Black RAL 9011
fixing				

Load rating and safety specification
100 kg

Order table

W X D	M.O.Q.	Net weight for kit (Kg)	Light grey RAL 7035	Black RAL 9011
			Order code	Order code
19" (600mm) x 472 mm	1	3.4	802-552914	802-343188
19" (600mm) x 627 mm	1	4.6	802-552915	802-343189
19" (600mm) x 754 mm	1	5.5	802-552916	802-343190
800 x 472 mm	1	5.0	802-552917	802-343191
800 x 627 mm	1	6.6	802-552918	802-343192
800 x 754 mm	1	7.9	802-552919	802-343193



IMRAK supports, trays and shelves

19" cantilever shelves

Cantilever shelves fix directly onto the standard 19" panel mounts. The shelves occupy 2U of panel mount height. Cantilever shelves have a nominal load rating of 20kg, mounted in the middle of the shelf.

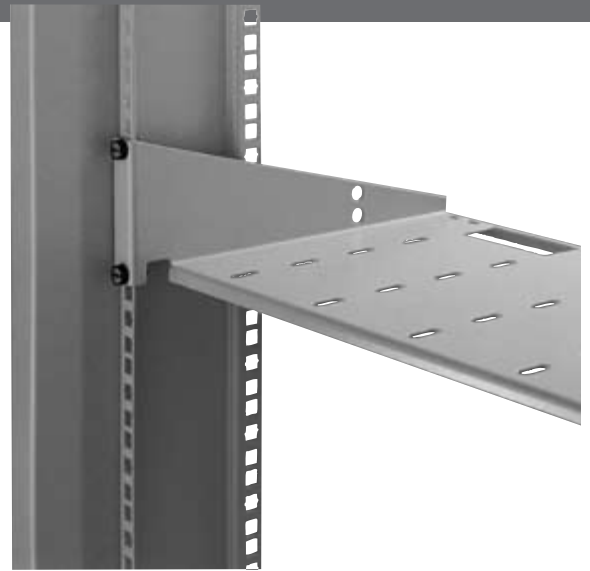
To be used with

To be fitted onto Chassis Supports

Contents of kit				
Description	Qty	Material	finishes	
19" Cantilever shelf	1	1.5 mm steel	Light grey RAL 7035	Black RAL 9011
fixing				

Load rating and safety specification
20 kg

Order table				
W X D	M.O.Q.	Net weight for kit (Kg)	Light grey RAL 7035	Black RAL 9011
			Order code	Order code
19" x 255 mm	1	2.0	802-562284	593-599790
19" x 400 mm	1	3.2	802-562285	593-599791



Chassis trays to fix directly to vertical members

These trays are designed for applications where equipment wider than 19" is to be mounted or used in conjunction with 'simple 19" panel mounts'. As they are fitted directly to the vertical corner members, no chassis supports or panel mounting members are required, thereby reducing cost and complexity.

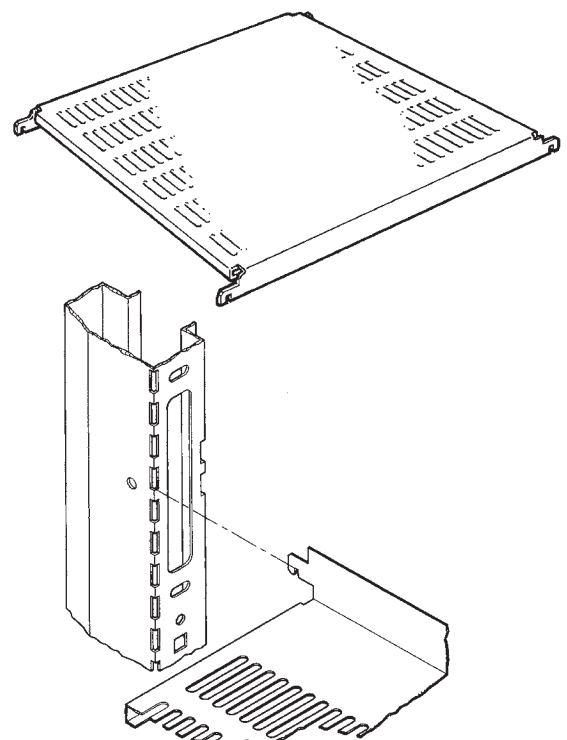
To be used with

These chassis trays can only be used with 'simple 19" panel mounts' when fitted to the vertical (NOT on panel mount supports).

Contents of kit				
Description	Qty	Material	finishes	
Chassis tray	1	1.5 mm steel	Light grey RAL 7035	
fixing				

Load rating and safety specification
50 kg

Order table				
W X D	M.O.Q.	Net weight for kit (Kg)	Light grey RAL 7035	
			Order code	
Tray for 600 x 600 cabinet	1	2.3	802-563558	
Tray for 600 x 800 cabinet	1	3.3	802-563559	
Tray for 800 x 600 cabinet	1	3.3	802-563562	
Tray for 800 x 800 cabinet	1	4.7	802-563563	



IMRAK supports, trays and shelves

Sliding shelves - 19" fixing

This shelf will fit into an IMRAK IMserv or IMnet enclosure that has 19" panel mounts fitted in the front and rear of the enclosure, independent of whether the enclosure is 600mm or 800mm wide. The supporting surface of the shelf is in-line with the bottom of the 'U' above it, therefore the shelf can be used to support both 19" mounted equipment as well as non 19" mounted

To be used with

Must be used with 19" Panel Mounting Angles fitted front and rear.

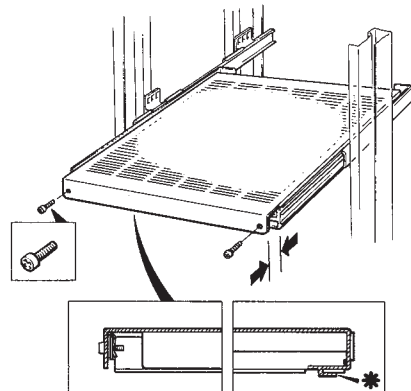
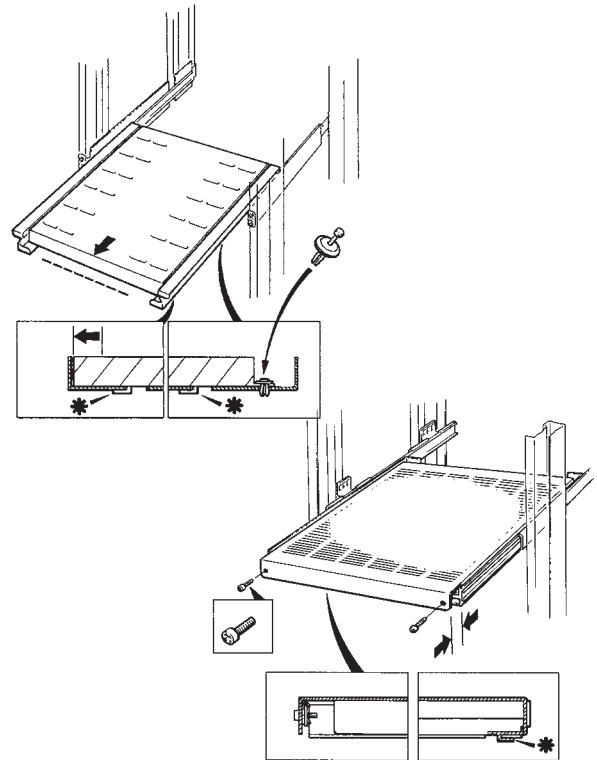
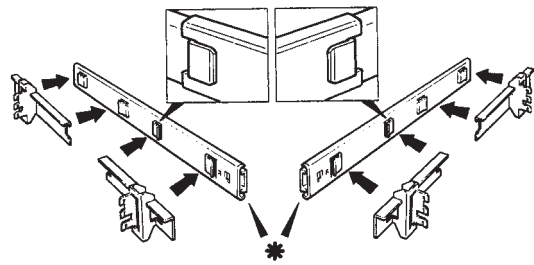
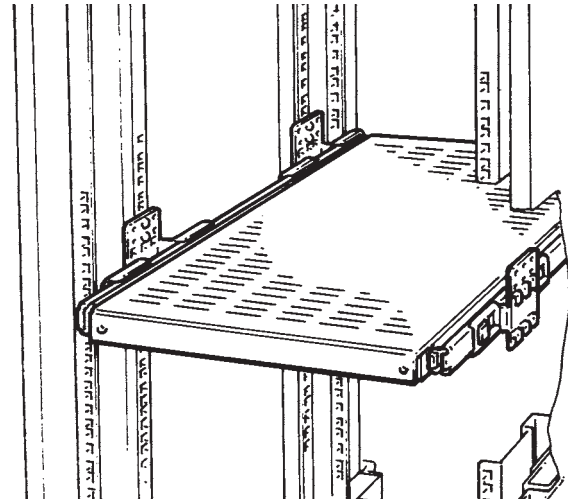
Contents of kit

Description	Qty	Material	finishes	
			Light grey RAL 7035	Black RAL 9011
Keyboard shelf	1	1.5 mm steel		
Slides	2	steel		
Mounting brackets fixing	4	steel		

Load rating and safety specification
35 kg

Order table

W X D	M.O.Q.	Net weight for kit (Kg)	Light grey RAL 7035	Black RAL 9011
			Order code	Order code
Sliding shelf 19" x 425 mm	1	4.1	802-3635759	593-3635752
Sliding shelf 19" x 625 mm	1	6.0	802-3635760	593-3635753



IMRAK supports, trays and shelves

Keyboard shelves - 19" fixing

Sliding keyboard shelves designed to support a keyboard and mouse. Each shelf is supplied with an area to house both the keyboard and the mouse plus a wrist rest/mouse mat.

The shelf is 19" mounted X 425mm – This keyboard shelf will fit into IMRAK, IMnet or IMserv but 19" panel mounts must be fitted in the front and rear of the enclosure.

It can only be used for keyboards which are 450mm or less in length.

To be used with

Must be used with 19" Panel Mounting Angles fitted front and rear.

Contents of kit

Description	Qty	Material	finishes	
			Light grey RAL 7035	Black RAL 9011
Keyboard shelf	1	1.5 mm steel		
Mouse mat / wrist rest	1			
Slides	2	steel		
Mounting brackets fixing	4	steel		

Load rating and safety specification
35 kg

Order table

W X D	M.O.Q.	Net weight for kit (Kg)	Light grey RAL 7035	Black RAL 9011
			Order code	Order code
Keyboard shelf 19" x 425 mm	1	4.1	802-3635758	593-3635754



IMRAK supports, trays and shelves

Heavy duty sliding shelves - 19" fixing

Ideal for tower and cabinet mounted servers plus cabinet mounted and non-cabineted UPS units, which weigh up to 100kg.

These sliding shelves will fit into IMRAK and IMserv enclosures when 19" panel mounts are fitted in the front and rear of the enclosure, independent of whether the enclosure is 600mm or 800mm wide. The supporting surface of the shelf is in-line with the bottom of the 'U' above it, therefore the shelf can be used to support both 19" mounted equipment and non 19" mounted systems.

Warning.

The enclosure should be fitted with an extension plinth or bolted down, to ensure the cabinet does not over balance when sliding shelves are used.

To be used with

Must be used with 19" Panel Mounting Angles fitted front and rear.



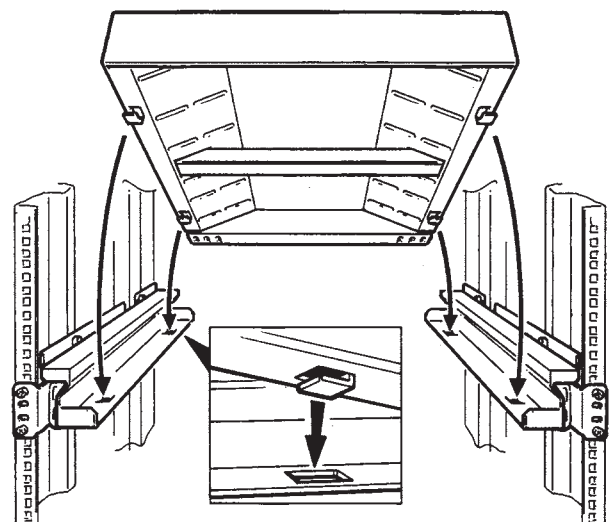
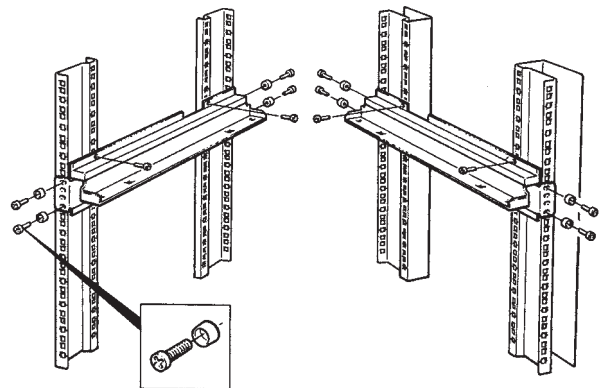
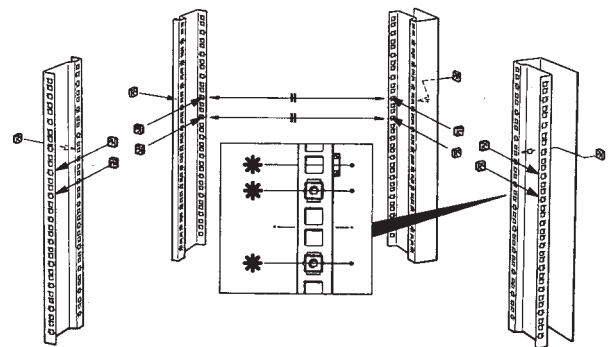
Contents of kit

Description	Qty	Material	finishes	
			Light grey RAL 7035	Black RAL 9011
Heavy duty shelf	1	1.5 mm steel		
Heavy duty slides	2	steel		
Mounting brackets fixing	4	steel		

Load rating and safety specification
100 kg

Order table

W X D	M.O.Q.	Light grey RAL 7035	Black RAL 9011
		Order code	Order code
Sliding shelf 19" x 630 mm	1	802-3635737	802-3635738



IMRAK cable management

Cable Management

1. PLASTIC CABLE TRUNKING

A plastic trough measuring 80mm wide by 40mm deep externally with a snap-on cover. Supplied in 2m lengths and easily cut for other sizes.

2. STEEL CABLE TRAYS

Four alternative lengths, all 152mm wide by 12,7mm deep and multi-punched for accepting cable ties etc.

3. STEEL CABLE TRAYS

1500mm x 300mm by 13mm deep, multi-punched for accepting cable ties etc. Easy to cut and will not damage or cut into cables.

4, 5, 6, & 7 CABLE MANAGEMENT PANELS

19" mounting cable entry, brush strip and cable hoop panels

8 & 9. SINGLE AND DOUBLE CABLE HOOPS

Single cable hoops can be fixed to the inside face of the vertical corner members. Single sized hoops are available for racks with side panels. Double sized hoops can be fitted to the inside faces of the vertical corner members when the racks are bayed together. The hoops may also be fitted on cross members at the rear of the rack or from panel mount supports on the side of the rack.

10. CABLE BAR

For 19" mounting and support cable at the rear of panel mounts

To be used with

Items 1, 2 & 3 fit to 'panel mounting supports'.

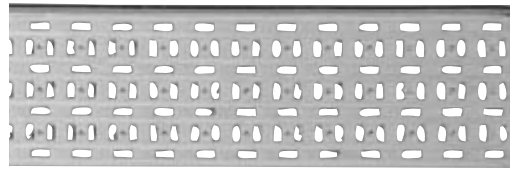
Items 4, 5, 6, 7 & 10 fit horizontally across the '19" panel mounts'.

Item 8 mounts to the back of IMRAK vertical

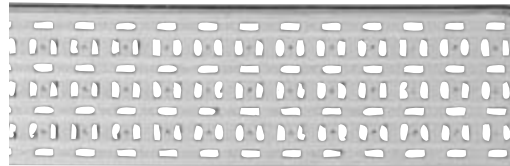
Item 9 mounts into the 'cable reducing channel' used on 800 mm wide cabinets and it can also be mounted across the rear of IMRAK verticals in bayed applications.



1



2



3



4



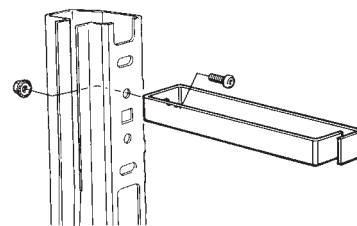
5



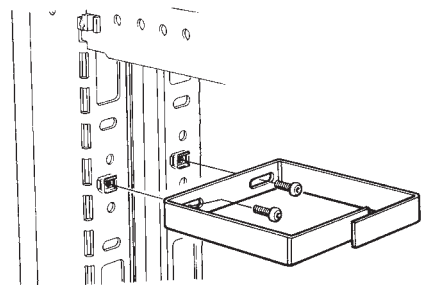
6



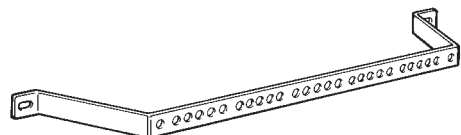
7



8



9



10

Contents of kit

All items supplied with fixings

finishes

Load rating and safety specification

N/A

Order table

	M.O.Q.	Net weight for kit (Kg)	Order code
1. Plastic trunking 2m long (45U)	1		643-10000
2. Steel cable trays 1259mm (28U)	1	2.1	802-560871
2. Steel cable trays 1481mm (33U)	1	2.5	802-560876
2. Steel cable trays 1703mm (38U)	1	2.9	802-560881
2. Steel cable trays 1925mm (43U)	1	3.3	802-560886
3. 300mm steel cable tray 1500mm (34U)	1		802-562414
4. Cable entry panel 2U	1		960-236702
5. Brush strip panel 1U	1		802-563107
6. Cable management panel 1U	1		802-563522
7. Cable management panel, deep hoops 1U	1		802-563536
6. Black cable management panel 1U	1		802-563575
7. Black cable management panel, deep hoops 1U	1		802-563576
6. Cable management panel 2U	1		802-563523
6. Black cable management panel 2U	1		802-563577
8. Single cable hoops (configured racks only)	1		802-563545
8. Single cable hoops (pk. 10)	1		802-563612
9. Double cable hoops (configured racks only)	1		802-563546
9. Double cable hoops (pk. 10)	1		802-563613
10. Cable bar 19"	1		961-553948

IMRAK earthing

Earthing & busbar systems Earth continuity kits

Two styles of earth continuity are available. Each contains ten leads to earth all panels and doors, and leaving extra leads to earth parts of the electronic equipment.

Type 1 has ring terminals at both ends to mount directly onto the earth studs on the panels.

Type 2 has a ring terminal on one end and a spade (faston) at the other. Adaptor rings are provided for bolting on to the earth studs to allow quick removal and assembly.

To be used with

To be fitted onto Chassis Supports

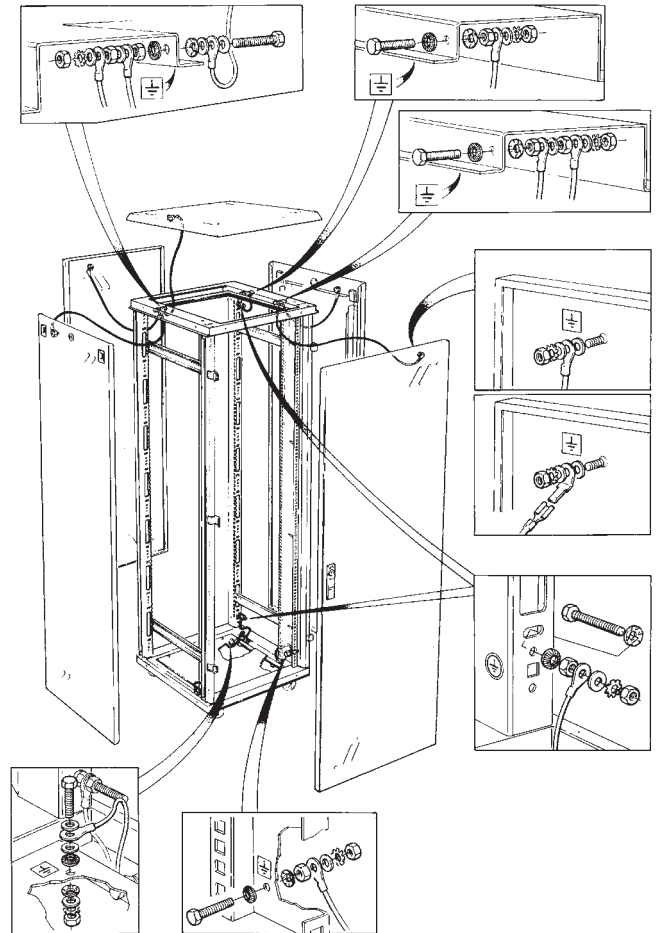
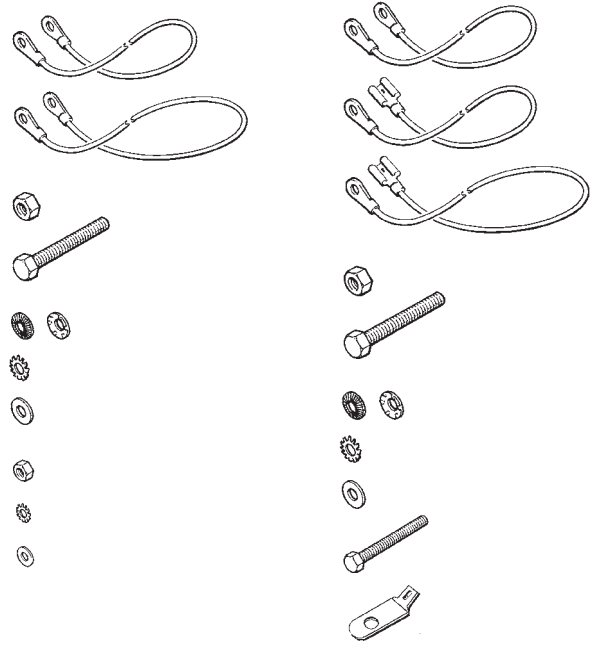
Contents of kit

Description	Qty	Material	finishes
Earth continuity kit	1	1.5 mm steel	Light grey RAL 7035
fixing			

Load rating and safety specification

Order table

	M.O.Q.	Net weight for kit (Kg)	Order code
Earth continuity kit - type 1	1		802-560005
Earth continuity kit - type 2	1		802-561563



Earthing & busbar systems

Earth continuity kits

Two styles of earth continuity are available. Each contains ten leads to earth all panels and doors, and leaving extra leads to earth parts of the electronic equipment.

Type 1 has ring terminals at both ends to mount directly onto the earth studs on the panels.

Type 2 has a ring terminal on one end and a spade (faston) at the other. Adaptor rings are provided for bolting on to the earth studs to allow quick removal and assembly.

To be used with

To be fitted onto Chassis Supports

Contents of kit

Description	Qty	Material	finishes
Earth continuity kit	1	1.5 mm steel	
fixing			

Load rating and safety specification

Order table

	M.O.Q.	Net weight for kit (Kg)	Order code
Earth continuity kit - type 1	1		802-560005
Earth continuity kit - type 2	1		802-561563



Earthing bars

These earthing bars offer the option of bonded earth or isolated earth condition by using insulated spacer strips. They have male spade fixing positions at 1/2U intervals and can be mounted on any flat surface. Mounting holes allow mounting without further drilling on the inside faces of IMRAK as illustrated.

Made from nickel plated copper, the earth busbars have a rating of 40 Amps and can be cut to length. Main earth is provided by M6 studs at both ends.

To be used with

To be fitted onto Chassis Supports or direct to the cabinet's verticals

Contents of kit

Description	Qty	Material	finishes
Earthing bar	1	1.5 mm steel	Light grey RAL 7035
fixing			

Load rating and safety specification

Order table

W X D	M.O.Q.	Net weight for kit (Kg)	Order code
Earthing bar 13U	1		802-552929
Earthing bar 27U	1		802-552930
Earthing bar 39U	1		802-552931

Busbar systems

This is a copper common earth/neutral busbar which is normally fitted to the rear vertical of the rack.

It is rated at 140 Amps and supported by polyamide insulating blocks which will accept 4mm, 5/32", or 6BA fixing screws. There are three sizes of terminals for conductor sizes 1,5mm to 35mm.

Note: The busbar is simply fitted to the blocks using 'snap-on' clips.

To be used with

To be fitted onto Chassis Supports or directly to the cabinet's verticals

Contents of 'complete busbar' kit

Description	Qty	Material	finishes
Earthing bar: 10mm x 3mm x 1000mm	1	Copper	N/A
Insulated mounting blocks	3		
Large terminal: 16 – 35mm ² conductor	1		
Small terminals: 1,5mm – 4mm ² conductor	10		

Load rating and safety specification

Order table	M.O.Q.	Net weight for kit (Kg)	Order code
-------------	--------	-------------------------	------------

Complete busbar kit

Busbar kit - 1 off	1		802-556088
--------------------	---	--	-------------------

Accessories

Copper bar: 10mm x 3mm x 1000mm - kit of 1	1		613-10475
Insulated mounting block - kit of 20	1		613-10476
Large terminal: 16 – 35mm conductor - kit of 20	1		613-10479
Small terminal: 1,5 – 4mm conductor - kit of 50	1		613-10477
Medium terminal: 4 – 14mm conductor - kit of 50	1		613-10473

Electrostatic point (E.S.P.) and electrostatic wrist strap and lead

The E.S.P. is designed to protect against electrostatic discharge with its consequential damage to electronic equipment. This self-tapping screw stud will be fitted on the midpoint of the front left-hand vertical, unless otherwise stated.

The electrostatic wrist strap and lead are to be used with the E.S.P.

To be used with

To be fitted onto the cabinet's vertical.

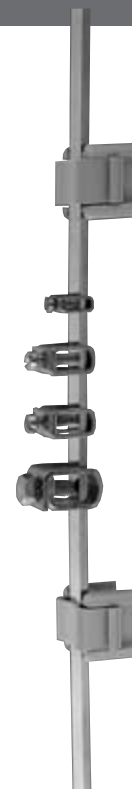
Contents of kit

Description	Qty	Material	finishes
			N/A

Load rating and safety specification

Order table

	M.O.Q.		Order code
Electrostatic point (E.S.P.)	1		802-563039
Electrostatic wrist strap and lead	1		802-563040



IMRAK magnetic light

Magnetic lights

This magnetically attached light is ideal for use in any environment with steel racks. Using a high output, lower power consumption (11 watts) U-shaped fluorescent tube gives long life. This unit is not supplied with a plug and lead, which should be ordered separately.

To be used with

To be fitted onto Chassis Supports

Contents of kit

Description	Qty	Material	finishes
Magnetic light	1	1.5 mm steel	Light grey RAL 7035
fixing			

Load rating and safety specification

Order table

W X D	M.O.Q.		Light grey RAL 7035
			Order code
Light, Schuko version, 230V, 351 x 65 x 62mm	1		802-562179
Light, UK version, 230V, 351 x 65 x 62mm *	1		802-563580
1,8m lead, Schuko plug	1		802-562180
2,0m lead, 13A plug	1		802-561559

* Commercial product only.



IMRAK power distribution

Power management

To be used with

To be fitted onto Chassis Supports

Contents of kit			
Description	Qty	Material	finishes
19" Cantilever shelf	1	1.5 mm steel	Black
fixing			
Load rating and safety specification			
N/A			

Order table

W X D	M.O.Q.	Net weight for kit (Kg)	Black
			Order code
5 way UK 19"PDU with UK plug, 3m lead	1	1.4	640-599723
6 way UK PDU with UK plug, 3m lead	1	1.5	640-599724
8 way UK PDU with UK plug, 3m lead	1	1.6	640-339353
12 way UK PDU with UK plug, 3m lead	1	1.9	640-339354
12 way UK PDU with BS4343 plug, 16A, 3m lead	1	2.0	640-339355
12 way UK PDU with BS4343 plug, 32A, 3m lead	1	2.2	640-339356
7 way IEC 60320 19"PDU with UK plug, 3m lead	1	1.4	640-599728
5 way Schuko 19"PDU with Schuko plug, 3m lead	1	1.4	640-599730
6 way Schuko PDU with Schuko plug, 3m lead	1	1.5	640-599731
8 way Schuko PDU with Schuko plug, 3m lead	1	1.6	640-339808D
12 way Schuko PDU with Schuko plug, 3m lead	1	1.9	640-339809B
12 way Schuko PDU with BS4343 plug, 16A, 3m lead	1	2.0	640-339810F
12 way Schuko PDU with BS4343 plug, 32A, 3m lead	1	2.2	640-339811D
7 way IEC 60320 19"PDU with Schuko plug, 3m lead	1	1.4	640-599735
5 way French 19"PDU with French plug, 3m lead	1	1.4	640-599736
6 way French PDU with French plug, 3m lead	1	1.5	640-599737
8 way French PDU with French plug, 3m lead	1	1.6	640-339812B
12 way French PDU with French plug, 3m lead	1	1.9	640-339813L
12 way French PDU with BS4343 plug, 16A, 3m lead	1	2.0	640-339814J
12 way French PDU with BS4343 plug, 32A, 3m lead	1	2.2	640-339815G
7 way IEC 60320 19"PDU with French plug, 3m lead	1	1.4	640-599741
ARC monitored 8 way PDU with 3m lead, UK plug	1		291-343851
ARC monitored 12 way PDU with 3m lead, UK plug	1		291-343852
ARC monitored & controlled 8 way PDU with 3m lead, UK plug	1		291-337913
ARC monitored & controlled 12 way PDU with 3m lead, UK plug	1		291-337914
ARC monitored 8 way PDU with 3m lead, Schuko plug	1		291-343853
ARC monitored 12 way PDU with 3m lead, Schuko plug	1		291-343855
ARC monitored & controlled 8 way PDU with 3m lead, Schuko plug	1		291-343857
ARC monitored & controlled 12 way PDU with 3m lead, Schuko plug	1		291-343859
ARC monitored 8 way PDU with 3m lead, French plug	1		291-343854
ARC monitored 12 way PDU with 3m lead, French plug	1		291-343856
ARC monitored & controlled 8 way PDU with 3m lead, French plug	1		291-343858
ARC monitored & controlled 12 way PDU with 3m lead, French plug	1		291-343860

